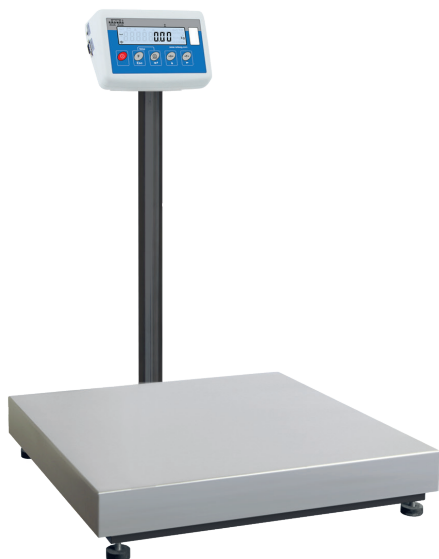


WPT Platform Scale

Uncomplicated operation and excellent precision of weighing process in vast range of industrial applications



WPT C3
indicator on a post



WPT C2/K
indicator connected via cable



WPT.F1
weighing pan with rounded corners



WPT C3/R
indicator next to the platform



PUE C/31
indicator with LCD display
in ABS housing

Functions



Parts counting



Percent weighing



Totalizing



In-built battery



Replaceable units



± Control



Animal weighing



Peak hold

Features

Precise Weighing Results in Industrial Conditions

WPT platform scale ensures precise and fast mass measurement in industrial conditions.

Reliability and Safety

Robust platform made of powder-coated steel designed for various weighing processes allows to weight different types of loads, ensuring durability and endurance in everyday use.

Versatility of Use

Various possibilities of fastening the indicator to the weighing platform enable selecting appropriate solution for different places of operation. The indicator can be mounted next to the platform, on a post or using cable.

Cooperation with PUE C/31 Indicator

The scale can be operated via uncomplicated and reliable PUE C/31 indicator housed in an ABS housing.

Uncomplicated Operation and Clear Presentation of Indications

Due to a backlit LCD display the measurement result is clearly visible. Easy operation enables fast and reliable measurements to be carried out even by an inexperienced operator.

Uninterrupted Operation due to an Internal Battery

Integrated battery of the weighing indicator enables several hours long mobile operation.

Ergonomics and Comfort of Operation

Models with indicator on a cable enable its installation in a place facilitating convenient operation. An additional accessory enables placing the indicator on a stand or mounting it to the wall.

Customizable Instrument

Numerous variants of weighing pan dimensions and broad range of maximum capacities enable selecting the best weighing instrument suiting specific requirements and needs

Technical Specifications

	WPT 1.5 F1 WPT 1.5 F1/R WPT 1.5 F1/K	WPT 3 F1 WPT 3 F1/R WPT 3 F1/K	WPT 6 F1* WPT 6 F1/R* WPT 6 F1/K*
Maximum capacity [Max]	1.5 kg	3 kg	6 kg
Minimum capacity	10 g	20 g	40 g
Readability [d]	1 g	1 g	2 g
Max readability for non-verified scale	0.2 g	0.2 g	0.2 g
Verification unit [e]	1 g	1 g	2 g
Tare range	-1.5 kg	-3 kg	-6 kg
Verification	Yes	Yes	Yes
OIML class	III	III	III
Design material	powder-coated steel St3S	powder-coated steel St3S	powder-coated steel St3S
Weighing pan material	AISI304 stainless steel	AISI304 stainless steel	AISI304 stainless steel
Indicator fastening	on a post to the platform (R) on 1 m cable (K)	on a post to the platform (R) on 1 m cable (K)	on a post to the platform (R) on 1 m cable (K)
Display	LCD (with backlight)	LCD (with backlight)	LCD (with backlight)
Keyboard	5 keys	5 keys	5 keys
Indicator	PUE C/31	PUE C/31	PUE C/31
Ingress protection - design	IP 65	IP 65	IP 65
Ingress protection - indicator	IP 43	IP 43	IP 43
RS 232	1	1	1
Power supply	100 ÷ 240 V AC 50 ÷ 60 Hz / 12 V DC + battery	100 ÷ 240 V AC 50 ÷ 60 Hz / 12 V DC + battery	100 ÷ 240 V AC 50 ÷ 60 Hz / 12 V DC + battery
Battery operation time	35 hours	35 hours	35 hours
Power consumption	6 W	6 W	6 W
Operating temperature	-10 ÷ +40 °C	-10 ÷ +40 °C	-10 ÷ +40 °C
Relative humidity **	10 ÷ 85%	10 ÷ 85%	10 ÷ 85%
Transport and storage temperature	-10 ÷ +50 °C	-10 ÷ +50 °C	-10 ÷ +50 °C
Weighing pan dimensions	300 × 300 mm	300 × 300 mm	300 × 300 mm
Indicator dimensions	181 × 136 × 60 mm	181 × 136 × 60 mm	181 × 136 × 60 mm
Overall dimensions	440 × 300 × 363 mm 445 × 300 × 73 mm (R)	440 × 300 × 363 mm 445 × 300 × 73 mm (R)	440 × 300 × 363 mm 445 × 300 × 73 mm (R)
Net weight	5.3 kg 5.3 kg (R) 5.2 kg (K)	5.3 kg 5.3 kg (R) 5.2 kg (K)	5.3 kg 5.3 kg (R) 5.2 kg (K)
Gross weight	6.6 kg 6.1 kg (R) 6 kg (K)	6.6 kg 6.1 kg (R) 6 kg (K)	6.6 kg 6.1 kg (R) 6 kg (K)
Packaging dimensions	570 × 390 × 170 mm	570 × 390 × 170 mm	570 × 390 × 170 mm

* option: dual range weighing instrument

** non-condensing conditions

	WPT 15 F1* WPT 15 F1/R* WPT 15 F1/K*	WPT 30 F1* WPT 30 F1/R* WPT 30 F1/K*	WPT 15 C2* WPT 15 C2/R* WPT 15 C2/K*
Maximum capacity [Max]	15 kg	30 kg	15 kg
Minimum capacity	100 g	200 g	100 g
Readability [d]	5 g	10 g	5 g
Max readability for non-verified scale	0.5 g	1 g	1 g
Verification unit [e]	5 g	10 g	5 g
Tare range	-15 kg	-30 kg	-15 kg
Verification	Yes	Yes	Yes
OIML class	III	III	III
Design material	powder-coated steel St3S	powder-coated steel St3S	powder-coated steel St3S
Weighing pan material	AISI304 stainless steel	AISI304 stainless steel	AISI304 stainless steel
Indicator fastening	on a post to the platform (R) on 1 m cable (K)	on a post to the platform (R) on 1 m cable (K)	on a post to the platform (R) on 2.5 m cable (K)
Display	LCD (with backlight)	LCD (with backlight)	LCD (with backlight)
Keyboard	5 keys	5 keys	5 keys
Indicator	PUE C/31	PUE C/31	PUE C/31
Ingress protection - design	IP 65	IP 65	IP 65
Ingress protection - indicator	IP 43	IP 43	IP 43
RS 232	1	1	1
Power supply	100 ÷ 240 V AC 50 ÷ 60 Hz / 12 V DC + battery	100 ÷ 240 V AC 50 ÷ 60 Hz / 12 V DC + battery	100 ÷ 240 V AC 50 ÷ 60 Hz / 12 V DC + battery
Battery operation time	35 hours	35 hours	35 hours
Power consumption	6 W	6 W	6 W
Operating temperature	-10 ÷ +40 °C	-10 ÷ +40 °C	-10 ÷ +40 °C
Relative humidity **	10 ÷ 85%	10 ÷ 85%	10 ÷ 85%
Transport and storage temperature	-10 ÷ +50 °C	-10 ÷ +50 °C	-10 ÷ +50 °C
Weighing pan dimensions	300 × 300 mm	300 × 300 mm	400 × 500 mm
Indicator dimensions	181 × 136 × 60 mm	181 × 136 × 60 mm	181 × 136 × 60 mm
Overall dimensions	440 × 300 × 363 mm 445 × 300 × 73 mm (R)	440 × 300 × 363 mm 445 × 300 × 73 mm (R)	509 × 502 × 751 mm 402 × 544 × 103 mm (R)
Net weight	5.3 kg 5.3 kg (R) 5.2 kg (K)	5.3 kg 5.3 kg (R) 5.2 kg (K)	12.4 kg 10.9 kg (R) 10.8 kg (K)
Gross weight	6.6 kg 6.1 kg (R) 6 kg (K)	6.6 kg 6.1 kg (R) 6 kg (K)	14.7 kg 13.2 kg (R) 13.1 kg (K)
Packaging dimensions	570 × 390 × 170 mm	570 × 390 × 170 mm	720 × 620 × 210 mm

* option: dual range weighing instrument

** non-condensing conditions

	WPT 30 C2* WPT 30 C2/R* WPT 30 C2/K*	WPT 60 C2* WPT 60 C2/R* WPT 60 C2/K*	WPT 150 C2* WPT 150 C2/R* WPT 150 C2/K*
Maximum capacity [Max]	30 kg	60 kg	150 kg
Minimum capacity	200 g	400 g	1 kg
Readability [d]	10 g	20 g	50 g
Max readability for non-verified scale	1 g	2 g	5 g
Verification unit [e]	10 g	20 g	50 g
Tare range	-30 kg	-60 kg	-150 kg
Verification	Yes	Yes	Yes
OIML class	III	III	III
Design material	powder-coated steel St3S	powder-coated steel St3S	powder-coated steel St3S
Weighing pan material	AISI304 stainless steel	AISI304 stainless steel	AISI304 stainless steel
Indicator fastening	on a post to the platform (R) on 2.5 m cable (K)	on a post to the platform (R) on 2.5 m cable (K)	on a post to the platform (R) on 2.5 m cable (K)
Display	LCD (with backlight)	LCD (with backlight)	LCD (with backlight)
Keyboard	5 keys	5 keys	5 keys
Indicator	PUE C/31	PUE C/31	PUE C/31
Ingress protection - design	IP 65	IP 65	IP 65
Ingress protection - indicator	IP 43	IP 43	IP 43
RS 232	1	1	1
Power supply	100 ÷ 240 V AC 50 ÷ 60 Hz / 12 V DC + battery	100 ÷ 240 V AC 50 ÷ 60 Hz / 12 V DC + battery	100 ÷ 240 V AC 50 ÷ 60 Hz / 12 V DC + battery
Battery operation time	35 hours	35 hours	35 hours
Power consumption	6 W	6 W	6 W
Operating temperature	-10 ÷ +40 °C	-10 ÷ +40 °C	-10 ÷ +40 °C
Relative humidity **	10 ÷ 85%	10 ÷ 85%	10 ÷ 85%
Transport and storage temperature	-10 ÷ +50 °C	-10 ÷ +50 °C	-10 ÷ +50 °C
Weighing pan dimensions	400 × 500 mm	400 × 500 mm	400 × 500 mm
Indicator dimensions	181 × 136 × 60 mm	181 × 136 × 60 mm	181 × 136 × 60 mm
Overall dimensions	509 × 502 × 751 mm 402 × 544 × 103 mm (R)	509 × 502 × 751 mm 402 × 544 × 103 mm (R)	509 × 502 × 751 mm 402 × 544 × 103 mm (R)
Net weight	12.4 kg 10.9 kg (R) 10.8 kg (K)	12.4 kg 10.9 kg (R) 10.8 kg (K)	12.4 kg 10.9 kg (R) 10.8 kg (K)
Gross weight	14.7 kg 13.2 kg (R) 13.1 kg (K)	14.7 kg 13.2 kg (R) 13.1 kg (K)	14.7 kg 13.2 kg (R) 13.1 kg (K)
Packaging dimensions	720 × 620 × 210 mm	720 × 620 × 210 mm	720 × 620 × 210 mm

* option: dual range weighing instrument

** non-condensing conditions

	WPT 300 C2* WPT 300 C2/K*	WPT 15 C3	WPT 30 C3*
Maximum capacity [Max]	300 kg	15 kg	30 kg
Minimum capacity	2 kg	100 g	200 g
Readability [d]	100 g	0.5 g	10 g
Max readability for non-verified scale	10 g	1 g	1 g
Verification unit [e]	100 g	5 g	10 g
Tare range	-300 kg	-15 kg	-30kg
Verification	Yes	Yes	Yes
OIML class	III	III	III
Design material	powder-coated steel St3S	powder-coated steel St3S	powder-coated steel St3S
Weighing pan material	AISI304 stainless steel	AISI304 stainless steel	AISI304 stainless steel
Indicator fastening	on a post on 2.5 m cable (K)	on a post	on a post
Display	LCD (with backlight)	LCD (with backlight)	LCD (with backlight)
Keyboard	5 keys	5 keys	5 keys
Indicator	PUE C/31	PUE C/31	PUE C/31
Ingress protection - design	IP 65	IP 65	IP 65
Ingress protection - indicator	IP 43	IP 43	IP 43
RS 232	1	1	1
Power supply	100 ÷ 240 V AC 50 ÷ 60 Hz / 12 V DC + battery	100 ÷ 240 V AC 50 ÷ 60 Hz / 12 V DC + battery	100 ÷ 240 V AC 50 ÷ 60 Hz / 12 V DC + battery
Battery operation time	35 hours	35 hours	35 hours
Power consumption	6 W	6 W	6 W
Operating temperature	-10 ÷ +40 °C	-10 ÷ +40 °C	-10 ÷ +40 °C
Relative humidity **	10 ÷ 85%	10 ÷ 85%	10 ÷ 85%
Transport and storage temperature	-10 ÷ +50 °C	-10 ÷ +50 °C	-10 ÷ +50 °C
Weighing pan dimensions	400 × 500 mm	700 × 500 mm	700 × 500 mm
Indicator dimensions	181 × 136 × 60 mm	181 × 136 × 60 mm	181 × 136 × 60 mm
Overall dimensions	509 × 502 × 751 mm	701 × 501 × 754 mm	701 × 501 × 754 mm
Net weight	12.4 kg 10.8 kg (K)	23.2 kg	23.2 kg
Gross weight	14.7 kg 13.1 kg (K)	27 kg	27 kg
Packaging dimensions	720 × 620 × 210 mm	850 × 800 × 270 mm	850 × 800 × 270 mm

* option: dual range weighing instrument

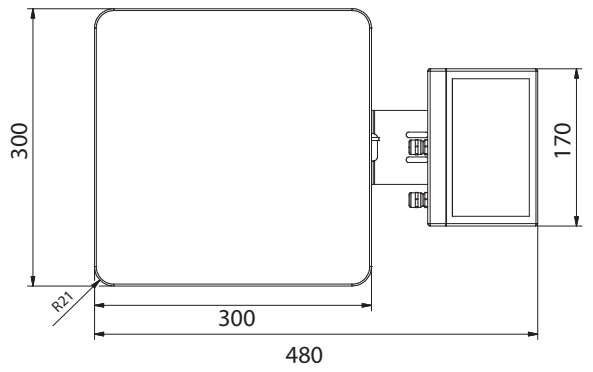
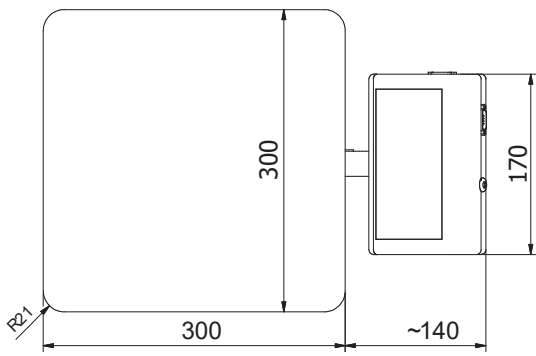
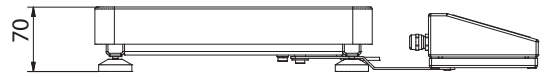
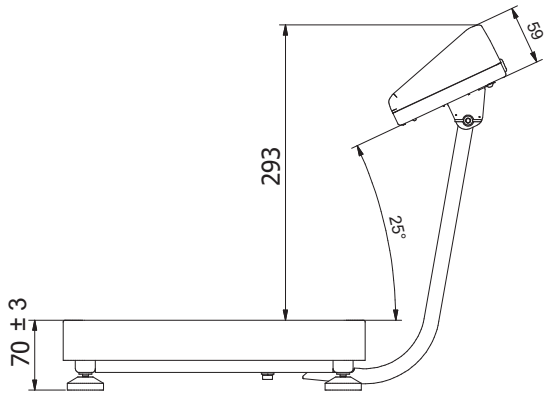
** non-condensing conditions

	WPT 60 C3*	WPT 150 C3* WPT 150 C3/K*	WPT 300 C3* WPT 300 C3/K*
Maximum capacity [Max]	60 kg	150 kg	300 kg
Minimum capacity	400 g	1 kg	2 kg
Readability [d]	20 g	50 g	100 g
Max readability for non-verified scale	2 g	5 g	10 g
Verification unit [e]	20 g	50 g	100 g
Tare range	-60 kg	-150 kg	-300 kg
Verification	Yes	Yes	Yes
OIML class	III	III	III
Design material	powder-coated steel St3S	powder-coated steel St3S	powder-coated steel St3S
Weighing pan material	AISI304 stainless steel	AISI304 stainless steel	AISI304 stainless steel
Indicator fastening	on a post	on a post on 2.5 m cable (K)	on a post on 2.5 m cable (K)
Display	LCD (with backlight)	LCD (with backlight)	LCD (with backlight)
Keyboard	5 keys	5 keys	5 keys
Indicator	PUE C/31	PUE C/31	PUE C/31
Ingress protection - design	IP 65	IP 65	IP 65
Ingress protection - indicator	IP 43	IP 43	IP 43
RS 232	1	1	1
Power supply	100 ÷ 240 V AC 50 ÷ 60 Hz / 12 V DC + battery	100 ÷ 240 V AC 50 ÷ 60 Hz / 12 V DC + battery	100 ÷ 240 V AC 50 ÷ 60 Hz / 12 V DC + battery
Battery operation time	35 hours	35 hours	35 hours
Power consumption	6 W	6 W	6 W
Operating temperature	-10 ÷ +40 °C	-10 ÷ +40 °C	-10 ÷ +40 °C
Relative humidity **	10 ÷ 85%	10 ÷ 85%	10 ÷ 85%
Transport and storage temperature	-10 ÷ +50 °C	-10 ÷ +50 °C	-10 ÷ +50 °C
Weighing pan dimensions	700 × 500 mm	700 × 500 mm	700 × 500 mm
Indicator dimensions	181 × 136 × 60 mm	181 × 136 × 60 mm	181 × 136 × 60 mm
Overall dimensions	701 × 501 × 754 mm	701 × 501 × 754 mm	701 × 501 × 754 mm
Net weight	23.2 kg	23.2 kg 21.6 kg (K)	23.2 kg 21.6 kg (K)
Gross weight	27 kg	27 kg 25.6 kg (K)	27 kg 25.6 kg (K)
Packaging dimensions	850 × 800 × 270 mm	850 × 800 × 270 mm	850 × 800 × 270 m

* option: dual range weighing instrument

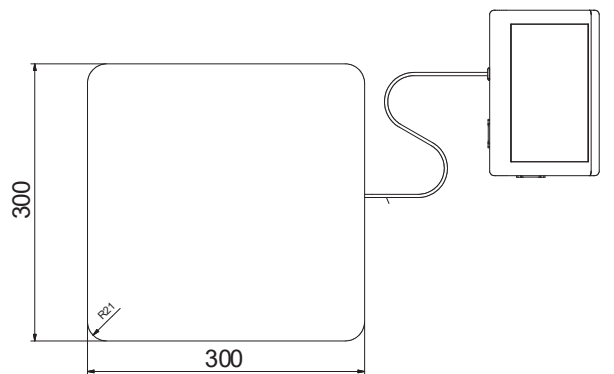
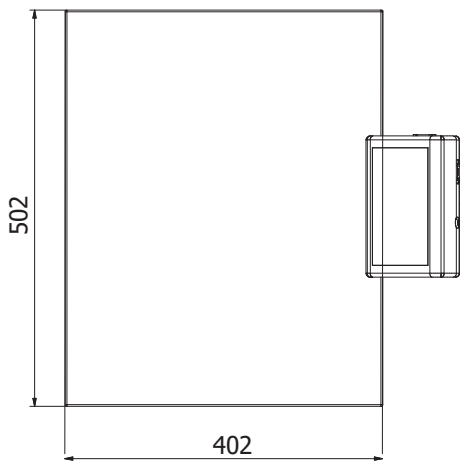
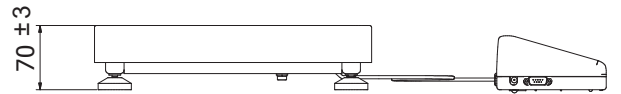
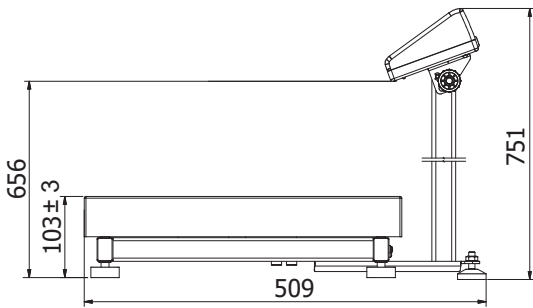
** non-condensing conditions

Dimensions



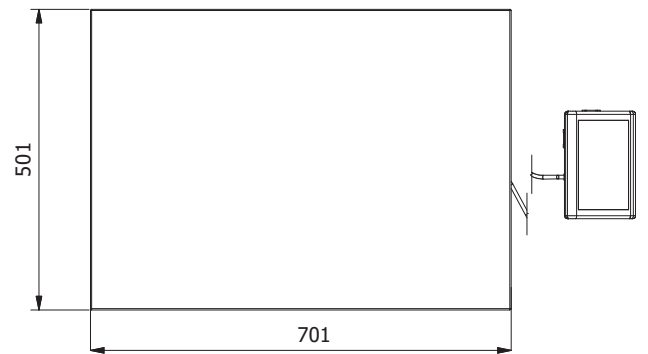
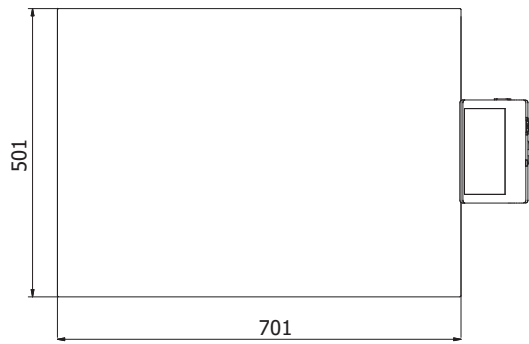
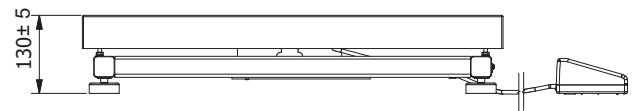
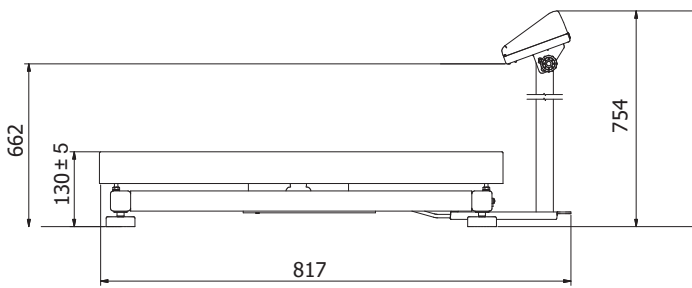
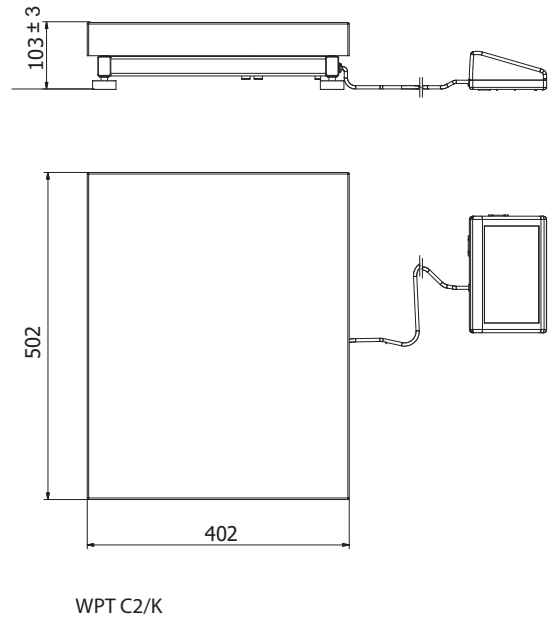
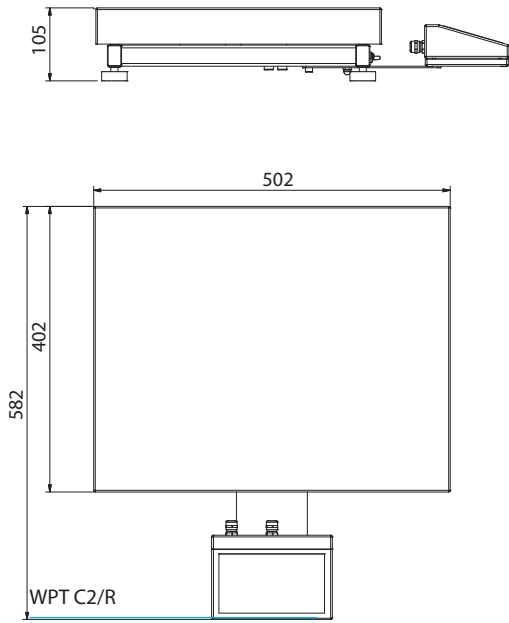
WPT F1

WPT F1/R



WPT C2

WPT C2/R



WPT C3

WPT C3/K

Accessories

Peripheral Devices

- drukarka igłowa Epson
- LCD – WD-4/1 display (backlit)
- WWG-2/7 large-size display

Cables, Converters

- RS-232 – P0108 computer cable
- RS-232 – P0151 Epson printer cable
- RS232 – KR-04-1 converter

- RS232/RS485 – KR-01 converter
- AP2-1 – current loop unit
- K0047 – cigarette lighter cable

Remaining accessories

- stands for indicators
- weighing Tables

Dedicated Software

R-LAB

- collecting measurements
- carrying out statistical analysis of measurements
- customized graphs and reports

LabView Driver

- operation of RADWAG balances in LabView environment

Scale editor

- Software designed to enable change of parameters in the PUEC/31 indicator.

Radwag Development Studio

- presentation of functions (and subfunctions) of communication protocol (Common Communication Protocol)
- possibility of connection with weighing equipment on which each function is carried out,
- library with mass control, contained within the development environment
- complete documentation of the communication protocol
- set of user manuals for different solutions addressed for programmers employed in companies using RADWAG-manufactured weighing equipment

RADWAG Connect

- establishing communication with all balances, scales and weighing modules using Common Communication Protocol
- communication via local network,
- support of basic functions
- auto searching for devices
- connecting with few devices simultaneously, swapping between them
- clear list of connected platforms
- record of measurements in the program,
- export of carried out measurements to CSV file,
- work performed using freely selected device with Windows 10 operating system

RAD KEY

- Establishing cooperation between a weighing instrument and a computer

R.Barcode

- The basic function software is presentation of the data sent by barcode scanners connected to PC via USB or RS232