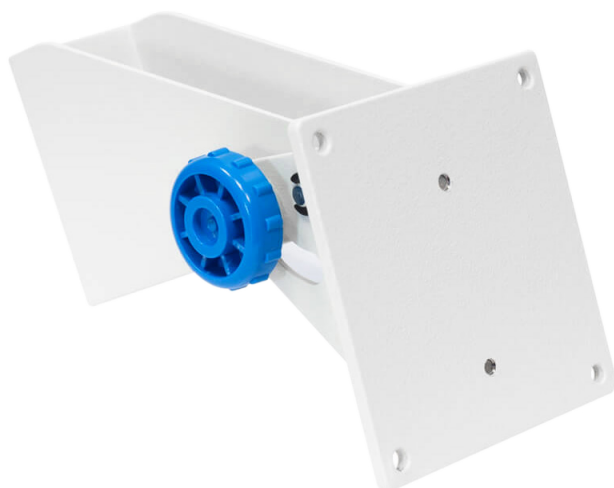


Stands for Indicators

Greater comfort of weighing instrument operation.



PUE 7-36 wall mounting kit



PUE C/31 wall mounting kit



PUE-7-32 wall mounting kit



Stand for PUE C/31 indicators

Features

PUE 7-36 Wall Mounting Kit

The PUE-7-36 kit is intended for mounting PUE 7.1 or PUE C32 indicators on a wall. The kit can be adjusted depending on the expected angle of tilt.

PUE-7-32 Wall Mounting Kit

The kit enables mounting PUE 7.1 or PUE 32 indicator to a wall. The PUE-7-32 can be fixed in two positions. The kit is made of powder-coated steel of 1mm, which ensures its inflexibility.

Mounting Bracket for PUE C/31 Indicator

The bracket enables placing the indicator on a table or mounting it on a wall. The kit is made of powder-coated steel.

Stand for PUE C/31 Indicators

Tripod stand is intended for cable versions of PUE C/31, PUE C/31/H, PUE C32, PUE 7.1 indicators. There are two models of the stand: powder-coated and stainless-steel.

Compatible with

PUE-7-32:

- PUE C32 indicator
- PUE 7.1 indicator

Stojak do miernika PUE C/31:

- PUE C/31 indicator
- PUE C32 indicator
- PUE 7.1 indicator

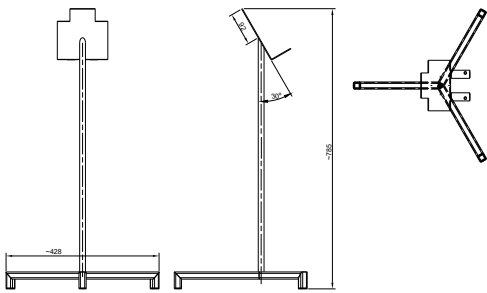
Uchwyt do miernika wagowego PUE C/31:

- PUE C/31 indicator

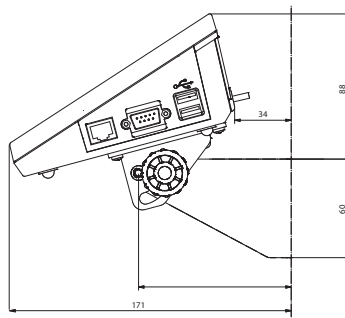
Uchwyt regulowany PUE-7-36:

- PUE C32 indicator
- PUE 7.1 indicator

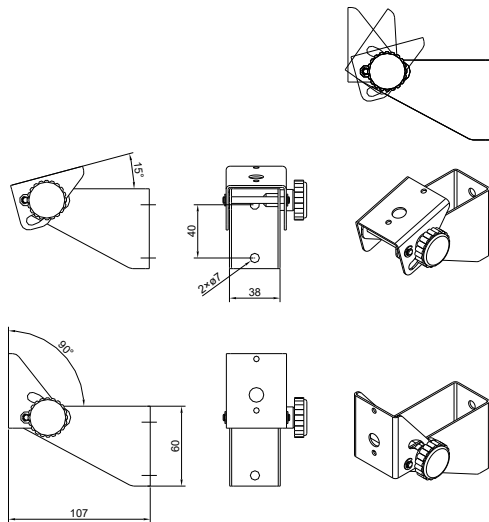
Dimensions



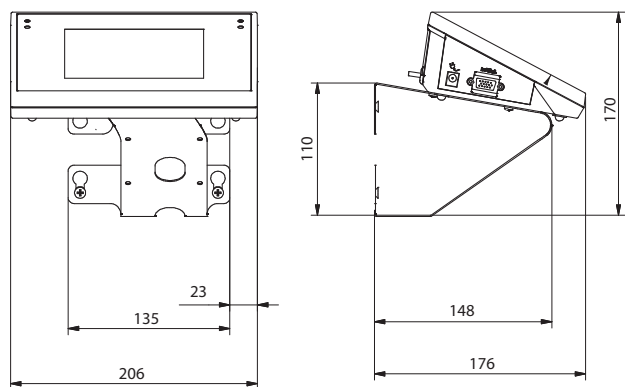
Stand for PUE C/31 indicators



PUE 7-36 wall mounting kit



PUE C/31 wall mounting kit



PUE-7-32 wall mounting kit