

Self-Centring Weighing Pans for Mass Comparators

Determining settings of mass standards during comparison.



Self-centring weighing pan for HRP 4Y.KO mass comparator



Self-centring weighing pan for HRP 4Y.KO mass comparator in use



Mass standards in mass comparator chamber during comparison



Self-centring weighing pan for APP 4Y.KO mass comparator



Mass standards on self-centring weighing pan

Features

Determining Mass Standards Positions

The self-centring weighing pan is covered with cork and features markings determining the position of mass standards. The weighing pan stabilizes and levels the artefacts if loaded eccentrically. It also aids loading few mass standards of the same mass as the reference weight

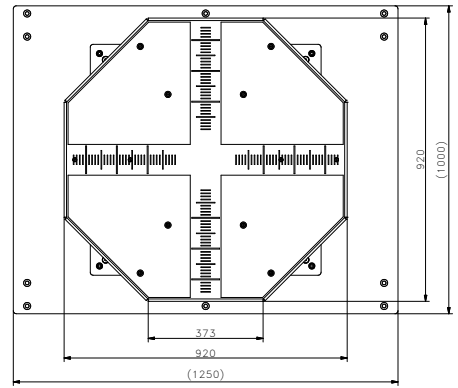
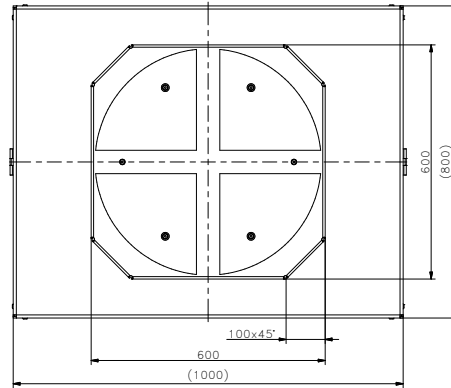
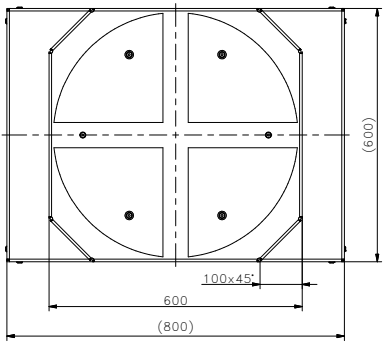
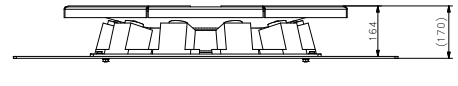
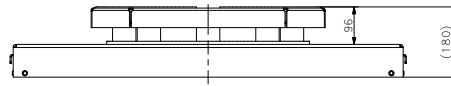
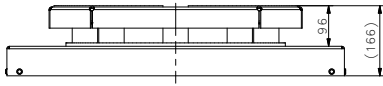
outside the centre of the weighing pan. The self-centring weighing pan is assembled during mass comparator production process and can be replaced by standard weighing pan.

Compatible with

- APP 10.4Y.KO manual mass comparators

- HRP 4Y.KO manual mass comparators

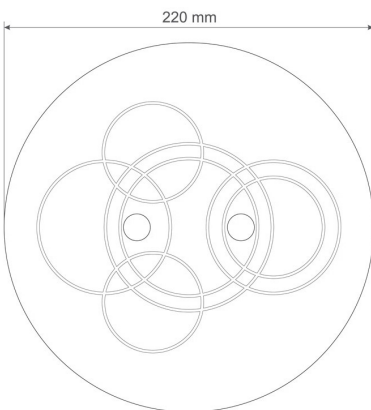
Dimensions



Self-centring weighing pan for HRP 200.4Y.KO i HRP 500.4Y.KO mass comparator

Self-centring weighing pan for HRP 1000.4Y.KO mass comparator

Self-centring weighing pan for HRP 2000.4Y.KO mass comparator



Self-centring weighing pan for APP 4Y.KO mass comparator