

PUE 5 Indicator

Reliability in industrial conditions
Complex support of weighing process



PUE 5.15"



PUE5.19"



Hermetic stainless steel housing



Communication interfaces

Functions

- Parts counting
- Dosing
- Transactions
- Alibi memory
- Replaceable units
- Checkweighing
- Formulations
- Labelling
- Databases
- Multilingual menu

Features

Convenience and Comfort of Operation

PUE 5 indicator is equipped with large and innovative 15.6" or 19" (depending on the model) display of high resolution. Clear menu and intuitive information arrangement on the display guarantee uncomplicated and comfortable operation.

Functionality of an Industrial Computer

PUE 5 indicator operating in Windows system combines the functionality of industrial PC and features of a weighing indicator. Quad-core 2GHz processor, 4 GB RAM and fast SSD drive ensure indicator speed even when operating complex applications.

Robustness and Resistance to Unfavourable Ambient Conditions

Hermetic stainless steel housing ensures high ingress protection of IP67. Infrared, resistive and capacitive panels enable indicator operation even in dusty and humid environment and with use of gloves and steel chain.

Industrial Applications of PUE 5 Indicator

The software of PUE 5 indicator allows it to be used as a part of labelling, parts counting, formulations, weighing recording and transactions systems. Those applications are compatible with E2R computer system that ensures complex operation of weighing processes.

Uncomplicated Application Designing

PUE 5 is based on Windows 7 which enables its integration with any application designed by a customer. The indicator features a set of programming components that facilitate communication between designed application and weighing modules.

Multiplatform Systems Management

PUE 5 indicator can be integrated with up to four weighing platforms. It also allows to connect laboratory balances and weighing modules.

Technical Specifications

	PUE 5.15C	PUE 5.19C
Maximum quantity of verification units [e]	6000	6000
OIML class	III	III
Maximum signal gain	19.5 mV	19.5 mV
Maximum voltage per verification unit	3.25 µV	3.25 µV
Minimum voltage per verification unit	0.4 µV	0.4 µV
Minimum load cells impedance	80 Ω	80 Ω
Maximum load cells impedance	1200 Ω	1200 Ω
Supply voltage of load cell	5V DC	5V DC
Connection of load cells	4 or 6 wires + shield	4 or 6 wires + shield
Standard quantity of weighing platforms	1	1
Maximum quantity of connected platforms	3	3
Housing	AISI304 stainless steel	AISI304 stainless steel
Ingress protection	IP 68	IP 68
Display	LCD 15.6" (1366 x 768)	LCD 19" (1280 x 1024)
Touch panel	capacitive	capacitive
Keyboard	on-screen	on-screen
Processor	Intel® Pentium® N3710 on-board SoC up to 2.56GHz, quad-core 2 MB cache	Intel® Pentium® N3710 on-board SoC up to 2.56GHz, quad-core 2 MB cache
RAM	4GB 1066/1333 MHz DDR3L max 8 GB	GB 1066/1333 MHz DDR3L max 8 GB
Memory	SSD 128 GB (256 i 512 GB)*	SSD 128 GB (256 i 512 GB)*
System	Microsoft Windows 7 Embedded (Windows 7 Pro, Windows 10 IoT, Windows 10 Pro)*	Microsoft Windows 7 Embedded (Windows 7 Pro, Windows 10 IoT, Windows 10 Pro)*
USB-A	4	4
RS 232	2 (3)*	2 (3)*
Ethernet	2	2
IN/OUT*	4 × IN, 4 × OUT	4 × IN, 4 × OUT
PROFIBUS Module**	DP SLAVE	DP SLAVE
RS 485**	1	1
Power supply	100 ÷ 240 V AC 50 ÷ 60 Hz	100 ÷ 240 V AC 50 ÷ 60 Hz
Power consumption	50 W	50 W
Operating temperature	0 ÷ +40 °C	0 ÷ +40 °C
Relative humidity ***	10 ÷ 85%	10 ÷ 85%
Transport and storage temperature	-10 ÷ +50 °C	-10 ÷ +50 °C
Overall dimensions	490 × 310 × 200 mm	524 × 420 × 200 mm
Net weight	10.5 kg	14 kg
Gross weight	12 kg	16 kg
Packaging dimensions	560 × 360 × 240 mm	590 × 430 × 240 mm

* optional version

** profibus DP and RS 485 interfaces are installed alternatively (the indicator is equipped with one of them!)

*** non-condensing conditions

	PUE 5.15R	PUE 5.19R
Maximum quantity of verification units [e]	6000	6000
OIML class	III	III
Maximum signal gain	19.5 mV	19.5 mV
Maximum voltage per verification unit	3.25 µV	3.25 µV
Minimum voltage per verification unit	0.4 µV	0.4 µV
Minimum load cells impedance	80 Ω	80 Ω
Maximum load cells impedance	1200 Ω	1200 Ω
Supply voltage of load cell	5V DC	5V DC
Connection of load cells	4 or 6 wires + shield	4 or 6 wires + shield
Standard quantity of weighing platforms	1	1
Maximum quantity of connected platforms	3	3
Housing	AISI304 stainless steel	AISI304 stainless steel
Ingress protection	IP 68	IP 68
Display	LCD 15.6" (1366 x 768)	LCD 19" (1280 x 1024)
Touch panel	resistive	resistive
Keyboard	on-screen	on-screen
Processor	Intel® Pentium® N3710 on-board SoC up to 2.56GHz, quad-core 2 MB cache	Intel® Pentium® N3710 on-board SoC up to 2.56GHz, quad-core 2 MB cache
RAM	4GB 1066/1333 MHz DDR3L max 8 GB	GB 1066/1333 MHz DDR3L max 8 GB
Memory	SSD 128 GB (256 i 512 GB)*	SSD 128 GB (256 i 512 GB)*
System	Microsoft Windows 7 Embedded (Windows 7 Pro, Windows 10 IoT, Windows 10 Pro)*	Microsoft Windows 7 Embedded (Windows 7 Pro, Windows 10 IoT, Windows 10 Pro)*
USB-A	4	4
RS 232	2 (3)*	2 (3)*
Ethernet	2	2
IN/OUT*	4 × IN, 4 × OUT	4 × IN, 4 × OUT
PROFIBUS Module**	DP SLAVE	DP SLAVE
RS 485**	1	1
Power supply	100 ÷ 240 V AC 50 ÷ 60 Hz	100 ÷ 240 V AC 50 ÷ 60 Hz
Power consumption	50 W	50 W
Operating temperature	0 ÷ +40 °C	0 ÷ +40 °C
Relative humidity ***	10 ÷ 85%	10 ÷ 85%
Transport and storage temperature	-10 ÷ +50 °C	-10 ÷ +50 °C
Overall dimensions	490 × 310 × 200 mm	524 × 420 × 200 mm
Net weight	10.5 kg	14 kg
Gross weight	12 kg	16 kg
Packaging dimensions	560 × 360 × 240 mm	590 × 430 × 240 mm

* optional version

** profibus DP and RS 485 interfaces are installed alternatively (the indicator is equipped with one of them!)

*** non-condensing conditions

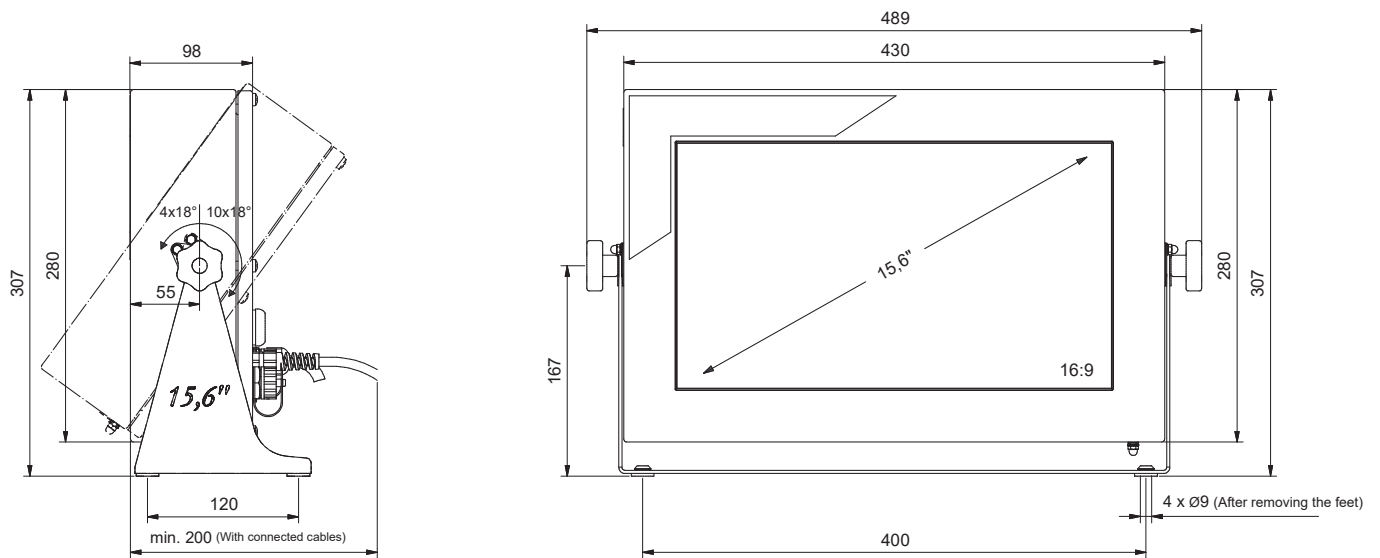
	PUE 5.15IR	PUE 5.19IR
Maximum quantity of verification units [e]	6000	6000
OIML class	III	III
Maximum signal gain	19.5 mV	19.5 mV
Maximum voltage per verification unit	3.25 µV	3.25 µV
Minimum voltage per verification unit	0.4 µV	0.4 µV
Minimum load cells impedance	80 Ω	80 Ω
Maximum load cells impedance	1200 Ω	1200 Ω
Supply voltage of load cell	5V DC	5V DC
Connection of load cells	4 or 6 wires + shield	4 or 6 wires + shield
Standard quantity of weighing platforms	1	1
Maximum quantity of connected platforms	3	3
Housing	AISI304 stainless steel	AISI304 stainless steel
Ingress protection	IP 68	IP 68
Display	LCD 15,6" (1366 x 768)	LCD 19" (1280 x 1024)
Touch panel	infrared	infrared
Keyboard	on-screen	on-screen
Processor	Intel® Pentium® N3710 on-board SoC up to 2.56GHz, quad-core 2 MB cache	Intel® Pentium® N3710 on-board SoC up to 2.56GHz, quad-core 2 MB cache
RAM	4GB 1066/1333 MHz DDR3L max 8 GB	GB 1066/1333 MHz DDR3L max 8 GB
Memory	SSD 128 GB (256 i 512 GB)*	SSD 128 GB (256 i 512 GB)*
System	Microsoft Windows 7 Embedded (Windows 7 Pro, Windows 10 IoT, Windows 10 Pro)*	Microsoft Windows 7 Embedded (Windows 7 Pro, Windows 10 IoT, Windows 10 Pro)*
USB-A	4	4
RS 232	2 (3)*	2 (3)*
Ethernet	2	2
IN/OUT*	4 × IN, 4 × OUT	4 × IN, 4 × OUT
PROFIBUS Module**	DP SLAVE	DP SLAVE
RS 485**	1	1
Power supply	100 ÷ 240 V AC 50 ÷ 60 Hz	100 ÷ 240 V AC 50 ÷ 60 Hz
Power consumption	50 W	50 W
Operating temperature	0 ÷ +40 °C	0 ÷ +40 °C
Relative humidity ***	10 ÷ 85%	10 ÷ 85%
Transport and storage temperature	-10 ÷ +50 °C	-10 ÷ +50 °C
Overall dimensions	490 × 310 × 200 mm	524 × 420 × 200 mm
Net weight	10.5 kg	14 kg
Gross weight	12 kg	16 kg
Packaging dimensions	560 × 360 × 240 mm	590 × 430 × 240 mm

* optional version

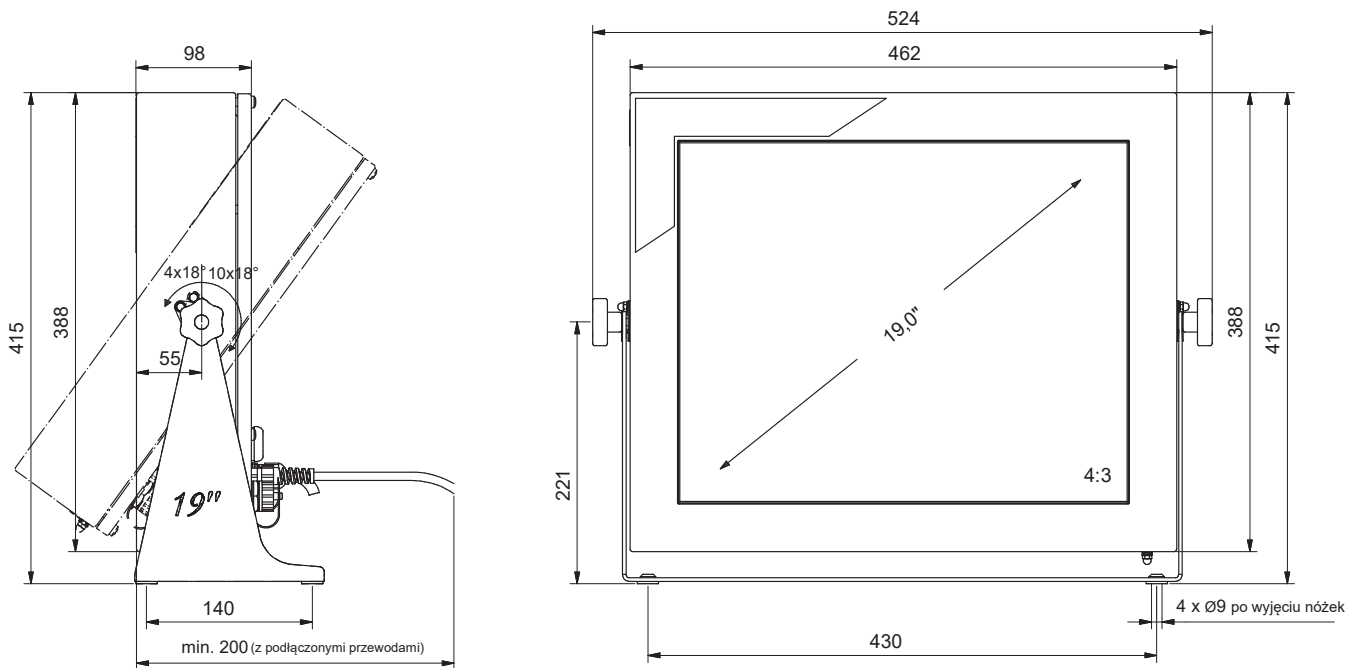
** profibus DP and RS 485 interfaces are installed alternatively (the indicator is equipped with one of them!)

*** non-condensing conditions

Dimensions



PUE 5.15



PUE 5.19

Accessories*

Peripheral Devices

- Epson dot matrix printer
- Zebra labellers
- WWG-2/4 large-size display
- LCD – WD-4/3 display (backlit)
- stack light
- control buttons
- transponder card scanner
- barcode scanner

Cables, Converters

- PT0019 cable – (scale – Epson printer)
- USB – PT0087 cable (Epson printer)
- PT0022 – cable (scale - Zebra printer)
- PT0020 cable – (scale– computer)
- RS-232 – PT0326 cable (indicator– indicator)

- RS 232 – PT0348 cable (scale-HRP, MWSH, MWLH)
- Ethernet 0198 cable
- IN/OUT– PT0256 cable
- USB type A-B cable
- Ethernet cable

Weighing Platforms

- 1 load cell platforms
- 4 load cell platforms
- high resolution platforms

Remaining Accessories

- stands for indicators
- weighing tables

Dedicated Software*

Label Editor R02

- designing label templates
- sending graphics and fonts to label printers
- printing label templates using connected printers

E2R Weighings

- record of measurements carried out using the weighing indicators
- online monitoring of the production lines
- weighing thresholds control
- employees working time reporting

E2R Formulations

- carrying out simple formulations
- support of an advanced formulations orders function
- warehouse management
- optional automatic dispensing and constant correction of the dispensing process
- control of an ingredient using the barcode scanner.

E2R Weighing Records

- complete, automated databases synchronization
- fully supported processes of labelling and parts counting
- record of weighings, weighings archiving
- basic and advanced (with graphs) reports

MWMH Manager

- option of adjustment of HRP platforms and MWSH, MWLH and MWMH modules,
- option of readout of mass from HRP platforms and modules using the computer,
- option of taring and zeroing HRP platforms and modules using the computer,
- option of determining HRP platforms and modules linearity,
- option of setting weighing filters for HRP platforms and modules.

*functionality and accessories depend on software type