

# PS 4Y.KB Mass Comparator

Semi-automatic system for mass comparator levelling



PS 4Y.KB



Semi-automatic system for mass comparator levelling



Anti-draft chamber made of glass

## Functions

- 

Mass comparator
- 

Ambient conditions measurement
- 

Proximity sensors
- 

Replaceable units
- 

Multilingual menu

## Features

### Effective and Excellent Measurement

The PS.4Y.KB mass comparator represents the standard-class manual mass comparators. The comparator allows to compare weights of class F2 and lower of mass ranging between 100 g and 1 kg.

### Maximum Comfort of Operation

The PS 4Y.KB is comprised of two parts. One featuring an electromagnetic module, the other a precise mechanical measuring system. The mass comparator is equipped with an aesthetic and spacious anti-draft weighing chamber made of glass featuring door. All elements of the chamber are made of glass or metal. With this, the influence of electrostatic field on the measurement result is minimized.

### Dedicated Software

Specially designed RMCS computer software enables comprehensive realisation of calibration procedures in laboratory. The system manages the whole calibration process, starting from the moment the order is placed, through procedure performance, to the moment of issuing the calibration certificate.

## Technical Specifications

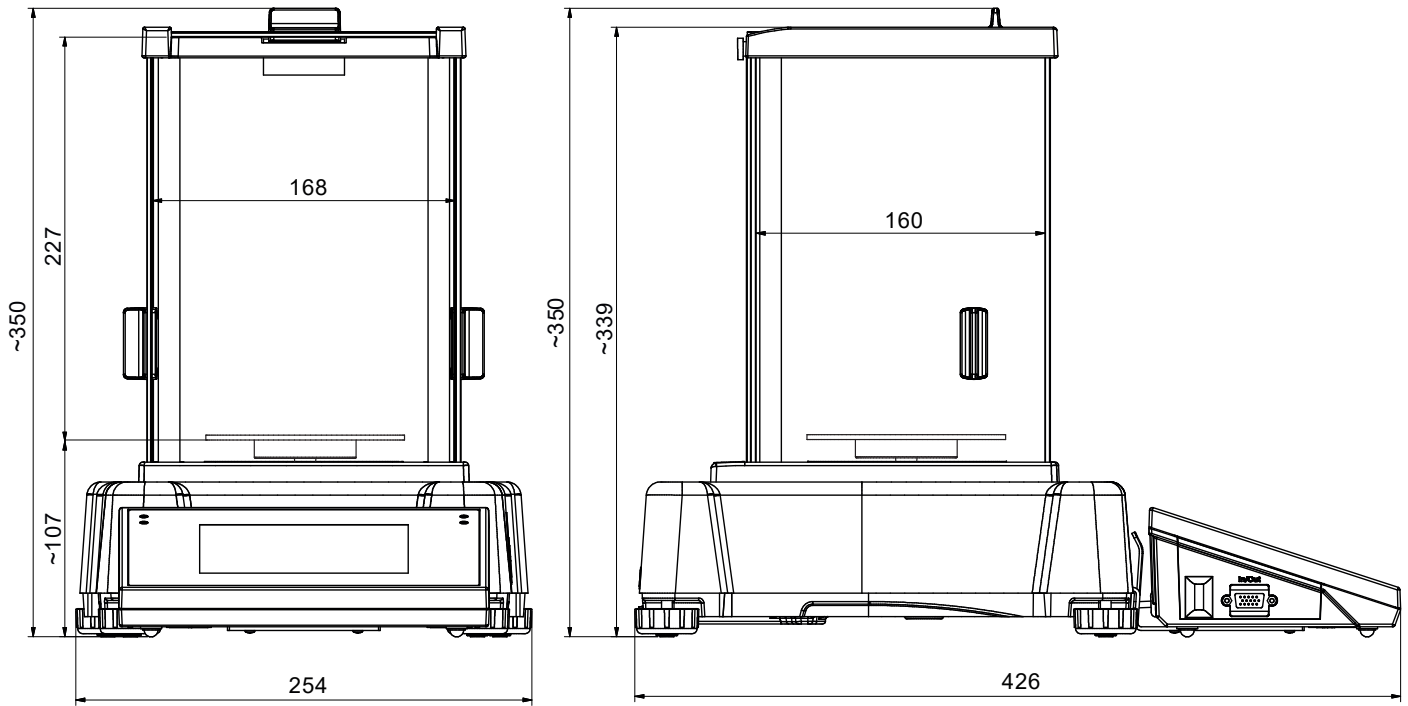
	PS 4Y.KB
OIML calibration range E1	—
OIML calibration range E2	—
OIML calibration range F1	—
OIML calibration range F2	500 g ÷ 1 kg
OIML calibration range M1	100 g ÷ 1 kg
OIML calibration range M2	100 g ÷ 1 kg
Maximum capacity [Max]	1.05 kg
Readability [d]	1 mg
Repeatability for nominal load*	1 mg (1 kg)
Repeatability for small load*	1 mg (100 g)
Stabilization time	2 s
Adjustment	internal
Electric compensation range	0 g ÷ 1050 g
Eccentricity (for test weight)	1 d / 2 mm
Display	5.7" colour resistive touch screen
Keypad	8 keys
Ingress protection - indicator	IP 43
Touch-free operation	2 programmable sensors
USB-A	2
Ethernet	10 / 100 Mbit
RS 232	2
Wireless Connection	802.11 b/g/n
IN/OUT	4 × IN, 4 × OUT
Power supply	110 ÷ 230 V AC / 50 ÷ 60 Hz
Operating temperature	+10 ÷ +40 °C
Operating temperature change rate	±2°C / 12 h
Relative humidity variations	±10% / 4 h
Relative humidity***	30 ÷ 70%
Transport and storage temperature	-20 ÷ +50 °C
Weighing pan dimensions	ø 83 mm
Mass comparator dimensions**	426 × 254 × 350 mm
Indicator dimensions**	206 × 140 × 70 mm
Mass comparator net weight	6.2 kg
Mass comparator gross weight	11 kg
Mass comparator packaging dimensions**	600 × 400 × 540 mm

\* repeatability is expressed as a standard deviation determined for 6 ABBA cycles

\*\* dimensions: length x width x depth

\*\*\* non-condensing conditions

## Dimensions



PS 4YA, d = 0,1 mg

## Accessories

### Weighing Tables

- granite anti-vibration table
- anti-vibration table for laboratory balances
- professional weighing table

### Ambient Conditions

- THB-S or THB-P sensor

### Peripheral Devices

- Epson dot matrix printer
- barcode scanner
- WD-5/3Y LCD display (backlit)

### Cables, Converters

- RS-232 – P0108 computer cable
- RS-232 – P0167 computer cable
- RS-232 – P0151 Epson printer cable

### Electrical Accessories

- power supply with ZR-02 battery

## Dedicated Software

### RMCS System

- performance of calibration procedures in a laboratory from the moment the order is placed, to the moment of issuing a calibration certificate
- compatible with THB sensors enabling recording ambient conditions
- export of report results to various files
- archiving calibration protocols, orders, certificates and ambient conditions

### RADWAG Remote Desktop

- remote control of the mass comparator using computer, telephone or tablet
- sending text messages
- version for Windows 10 and Android systems

### R-LAB

- collecting measurements
- carrying out statistical analysis of measurements
- customized graphs and reports

### Parameters Editor

- remote change of parameters
- remote on-line preview of the display
- displaying current mass indication
- software update
- file loading, editing and saving parameters to a file
- import and export of parameters
- interfaces: RS232, Ethernet and Wireless Connection
- quick and easy edition of balance parameters using computer