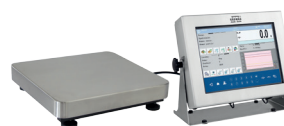


HY10 Multifunctional Scale

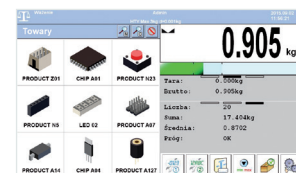
Wide range of functions and unlimited possibilities of application in professional processes of mass measurement



HY10.C.K



HY10.F.K



Products database with images assigned to each product



PUE HY10 indicator with 10.1" colour touch panel

Functions

- | | | | | |
|----------------|-----------------------|-----------------------------|----------------------------|-------------------|
| Parts counting | Percent weighing | Statistical quality control | Peak hold | Smart select |
| Dosing | Statistics | Density determination | Totalizing | Alibi memory |
| Checkweighing | Animal weighing | Labelling | Pre-packaged goods control | Replaceable units |
| Formulations | Differential weighing | Transactions | GLP procedures | Multilingual menu |

Features

Precise Weighing Results in Industrial Conditions

Advanced HY10 multifunctional scale enables fast and precise mass measurements in industrial conditions.

Reliability and Safety

Robust platform made of powder-coated steel and stainless steel weighing pan enable weighing different types of loads, ensuring durability and endurance in everyday use.

Vast Range of Applications

Numerous functions and applications of HY10 scale enable carrying out parts counting, formulations, dosing and labelling.

Cooperation with PUE HY10 Indicator

The scale can be operated via advanced PUE HY10 indicator controlled by Windows CE system. Hermetic housing is made of stainless steel.

Uncomplicated Operation and Clear Presentation of Indications

10.1" large colour touch screen ensures excellent readability and comfortable operation. Clear menu and intuitive information arrangement on the display guarantees uncomplicated and comfortable operation.

Remote Configuration

Parameters Editor software enables remote indicator operation from anywhere in the world.

Uncomplicated Databases Archiving

An extensive database enables archiving work results and periodic reports, data exchange between indicators and information import and export. Images database allows to assign a graphic to each product.

Technical Specifications

	HY10.1,5.F1.K	HY10.3.F1.K	HY10.6.F1.K*
Maximum capacity [Max]	1.5 kg	3 kg	6 kg
Minimum capacity	10 g	20 g	40 g
Readability [d]	0.5 g	1 g	2 g
Max readability for non-verified scale	0.2 g	0.2 g	0.2 g
Verification unit [e]	0.5 g	1 g	2 g
Tare range	-1.5 kg	-3 kg	-6 kg
Verification	Yes	Yes	Yes
OIML class	III	III	III
Platform material	St3S powder-coated steel	St3S powder-coated steel	St3S powder-coated steel
Weighing pan material	AISI304 stainless steel	AISI304 stainless steel	AISI304 stainless steel
Indicator fastening	cable (K)	cable (K)	cable (K)
Display	10.1" touch panel	10.1" touch panel	10.1" touch panel
Keyboard	on-screen	on-screen	on-screen
Indicator type	PUE HY10	PUE HY10	PUE HY10
Ingress protection - platform	IP 65	IP 65	IP 65
Ingress protection - indicator	IP 68/69	IP 68/69	IP 68/69
RS 485	1	1	1
RS 232	1	1	1
USB	1 × type A, 1 × MR 4 PIN	1 × type A, 1 × MR 4 PIN	1 × type A, 1 × MR 4 PIN
Ethernet	10 / 100 Mbit	10 / 100 Mbit	10 / 100 Mbit
IN/OUT	4 × IN, 4 × OUT for (IN – 5-24 VDC, OUT – max 30 VDC, 0,5 ADC)	4 × IN, 4 × OUT for (IN – 5-24 VDC, OUT – max 30 VDC, 0,5 ADC)	4 × IN, 4 × OUT for (IN – 5-24 VDC, OUT – max 30 VDC, 0,5 ADC)
Optional quantity of weighing platforms**	Maximum 6 (2 × internal weighing module + 4 × external weighing module)	Maximum 6 (2 × internal weighing module + 4 × external weighing module)	Maximum 6 (2 × internal weighing module + 4 × external weighing module)
PROFIBUS module**	DP SLAVE	DP SLAVE	DP SLAVE
PROFINET Module**	1 × type RJ45	1 × type RJ45	1 × type RJ45
AN module**	4-20mA, 0-20mA current loop; 0-10V voltage loop	4-20mA, 0-20mA current loop; 0-10V voltage loop	4-20mA, 0-20mA current loop; 0-10V voltage loop
WE12 module**	12IN / 12OUT - cable gland for (IN – 5-24 VDC, OUT – max 30 VDC, 0,5 ADC)	12IN / 12OUT - cable gland for (IN – 5-24 VDC, OUT – max 30 VDC, 0,5 ADC)	12IN / 12OUT - cable gland for (IN – 5-24 VDC, OUT – max 30 VDC, 0,5 ADC)
Wireless Module**	YES (external antenna) 802.11 b/g/n	YES (external antenna) 802.11 b/g/n	YES (external antenna) 802.11 b/g/n
Power supply	100 ÷ 240V AC 50÷60Hz	100 ÷ 240V AC 50÷60Hz	100 ÷ 240V AC 50÷60Hz
Power consumption	21 W	21 W	21 W
Operating temperature	+10 ÷ +40 °C	+10 ÷ +40 °C	+10 ÷ +40 °C
Relative humidity ***	40 ÷ 80%	40 ÷ 80%	40 ÷ 80%
Transport and storage temperature	-10 ÷ +50 °C	-10 ÷ +50 °C	-10 ÷ +50 °C
Weighing pan dimensions	300 × 300 mm	300 × 300 mm	300 × 300 mm
Indicator dimensions	360 × 275 × 120 mm	360 × 275 × 120 mm	360 × 275 × 120 mm
Net weight	10.3 kg	10.3 kg	10.3 kg
Gross weight	12.2 kg	12.2 kg	12.2 kg
Platform packaging dimensions	570 × 390 × 170 mm	570 × 390 × 170 mm	570 × 390 × 170 mm
Indicator packaging dimensions	420 × 350 × 230 mm	420 × 350 × 230 mm	420 × 350 × 230 mm

* option: dual range weighing instrument

** optional scale design

*** non-condensing conditions

	HY10.15.F1.K*	HY10.30.F1.K*	HY10.15.C2.K
Maximum capacity [Max]	15 kg	30 kg	15 kg
Minimum capacity	100 g	100 g	100 g
Readability [d]	5 g	10 g	5 g
Max readability for non-verified scale	1 g	1 g	1 g
Verification unit [e]	5 g	10 g	5 g
Tare range	-15 kg	-62 kg	-30 kg
Verification	Yes	Yes	Yes
OIML class	III	III	III
Platform material	St3S powder-coated steel	St3S powder-coated steel	St3S powder-coated steel
Weighing pan material	AISI304 stainless steel	AISI304 stainless steel	AISI304 stainless steel
Indicator fastening	cable (K)	cable (K)	cable (K)
Display	10.1" touch panel	10.1" touch panel	10.1" touch panel
Keyboard	on-screen	on-screen	on-screen
Indicator type	PUE HY10	PUE HY10	PUE HY10
Ingress protection - platform	IP 65	IP 65	IP 65
Ingress protection - indicator	IP 68/69	IP 68/69	IP 68/69
RS 485	1	1	1
RS 232	1	1	1
USB	1 × type A, 1 × MR 4 PIN	1 × type A, 1 × MR 4 PIN	1 × type A, 1 × MR 4 PIN
Ethernet	10 / 100 Mbit	10 / 100 Mbit	10 / 100 Mbit
IN/OUT	4 × IN, 4 × OUT for (IN – 5-24 VDC, OUT – max 30 VDC, 0,5 ADC)	4 × IN, 4 × OUT for (IN – 5-24 VDC, OUT – max 30 VDC, 0,5 ADC)	4 × IN, 4 × OUT for (IN – 5-24 VDC, OUT – max 30 VDC, 0,5 ADC)
Optional quantity of weighing platforms**	Maximum 6 (2 × internal weighing module + 4 × external weighing module)	Maximum 6 (2 × internal weighing module + 4 × external weighing module)	Maximum 6 (2 × internal weighing module + 4 × external weighing module)
PROFIBUS module**	DP SLAVE	DP SLAVE	DP SLAVE
PROFINET Module**	1 × type RJ45	1 × type RJ45	1 × type RJ45
AN module**	4-20mA, 0-20mA current loop; 0-10V voltage loop	4-20mA, 0-20mA current loop; 0-10V voltage loop	4-20mA, 0-20mA current loop; 0-10V voltage loop
WE12 module**	12IN / 12OUT - cable gland for (IN – 5-24 VDC, OUT – max 30 VDC, 0,5 ADC)	12IN / 12OUT - cable gland for (IN – 5-24 VDC, OUT – max 30 VDC, 0,5 ADC)	12IN / 12OUT - cable gland for (IN – 5-24 VDC, OUT – max 30 VDC, 0,5 ADC)
Wireless Module**	YES (external antenna) 802.11 b/g/n	YES (external antenna) 802.11 b/g/n	YES (external antenna) 802.11 b/g/n
Power supply	100 ÷ 240V AC 50÷60Hz	100 ÷ 240V AC 50÷60Hz	100 ÷ 240V AC 50÷60Hz
Power consumption	21 W	21 W	21 W
Operating temperature	+10 ÷ +40 °C	+10 ÷ +40 °C	+10 ÷ +40 °C
Relative humidity ***	40 ÷ 80%	40 ÷ 80%	40 ÷ 80%
Transport and storage temperature	-10 ÷ +50 °C	-10 ÷ +50 °C	-10 ÷ +50 °C
Weighing pan dimensions	300 × 300 mm	300 × 300 mm	400 × 500 mm
Indicator dimensions	360 × 275 × 120 mm	360 × 275 × 120 mm	360 × 275 × 120 mm
Net weight	10.3 kg	10.3 kg	15.8 kg
Gross weight	12.2 kg	12.2 kg	20 kg
Platform packaging dimensions	570 × 390 × 170 mm	570 × 390 × 170 mm	720 × 620 × 210 mm
Indicator packaging dimensions	420 × 350 × 230 mm	420 × 350 × 230 mm	420 × 350 × 230 mm

* option: dual range weighing instrument

** optional scale design

*** non-condensing conditions

	HY10.30.C2.K*	HY10.60.C2.K*	HY10.150.C2.K*
Maximum capacity [Max]	30 kg	60 kg	150 kg
Minimum capacity	200 g	400 g	1000 g
Readability [d]	10 g	20 g	50 g
Max readability for non-verified scale	1 g	2 g	5 g
Verification unit [e]	10 g	20 g	50 g
Tare range	-30 kg	-60 kg	-62 kg
Verification	Yes	Yes	Yes
OIML class	III	III	III
Platform material	St3S powder-coated steel	St3S powder-coated steel	St3S powder-coated steel
Weighing pan material	AISI304 stainless steel	AISI304 stainless steel	AISI304 stainless steel
Indicator fastening	cable (K)	cable (K)	cable (K)
Display	10.1" touch panel	10.1" touch panel	10.1" touch panel
Keyboard	on-screen	on-screen	on-screen
Indicator type	PUE HY10	PUE HY10	PUE HY10
Ingress protection - platform	IP 65	IP 65	IP 65
Ingress protection - indicator	IP 68/69	IP 68/69	IP 68/69
RS 485	1	1	1
RS 232	1	1	1
USB	1 × type A, 1 × MR 4 PIN	1 × type A, 1 × MR 4 PIN	1 × type A, 1 × MR 4 PIN
Ethernet	10 / 100 Mbit	10 / 100 Mbit	10 / 100 Mbit
IN/OUT	4 × IN, 4 × OUT for (IN – 5-24 VDC, OUT – max 30 VDC, 0,5 ADC)	4 × IN, 4 × OUT for (IN – 5-24 VDC, OUT – max 30 VDC, 0,5 ADC)	4 × IN, 4 × OUT for (IN – 5-24 VDC, OUT – max 30 VDC, 0,5 ADC)
Optional quantity of weighing platforms**	Maximum 6 (2 × internal weighing module + 4 × external weighing module)	Maximum 6 (2 × internal weighing module + 4 × external weighing module)	Maximum 6 (2 × internal weighing module + 4 × external weighing module)
PROFIBUS module**	DP SLAVE	DP SLAVE	DP SLAVE
PROFINET Module**	1 × type RJ45	1 × type RJ45	1 × type RJ45
AN module**	4-20mA, 0-20mA current loop; 0-10V voltage loop	4-20mA, 0-20mA current loop; 0-10V voltage loop	4-20mA, 0-20mA current loop; 0-10V voltage loop
WE12 module**	12IN / 12OUT - cable gland for (IN – 5-24 VDC, OUT – max 30 VDC, 0,5 ADC)	12IN / 12OUT - cable gland for (IN – 5-24 VDC, OUT – max 30 VDC, 0,5 ADC)	12IN / 12OUT - cable gland for (IN – 5-24 VDC, OUT – max 30 VDC, 0,5 ADC)
Wireless Module**	YES (external antenna) 802.11 b/g/n	YES (external antenna) 802.11 b/g/n	YES (external antenna) 802.11 b/g/n
Power supply	100 ÷ 240V AC 50÷60Hz	100 ÷ 240V AC 50÷60Hz	100 ÷ 240V AC 50÷60Hz
Power consumption	21 W	21 W	21 W
Operating temperature	+10 ÷ +40 °C	+10 ÷ +40 °C	+10 ÷ +40 °C
Relative humidity ***	40 ÷ 80%	40 ÷ 80%	40 ÷ 80%
Transport and storage temperature	-10 ÷ +50 °C	-10 ÷ +50 °C	-10 ÷ +50 °C
Weighing pan dimensions	400 × 500 mm	400 × 500 mm	400 × 500 mm
Indicator dimensions	360 × 275 × 120 mm	360 × 275 × 120 mm	360 × 275 × 120 mm
Net weight	15.8 kg	15.8 kg	15.8 kg
Gross weight	20 kg	20 kg	20 kg
Platform packaging dimensions	720 × 620 × 210 mm	720 × 620 × 210 mm	720 × 620 × 210 mm
Indicator packaging dimensions	420 × 350 × 230 mm	420 × 350 × 230 mm	420 × 350 × 230 mm

* option: dual range weighing instrument

** optional scale design

*** non-condensing conditions

	HY10.15.C3.K	HY10.30.C3.K*	HY10.60.C3.K*
Maximum capacity [Max]	15 kg	30 kg	60 kg
Minimum capacity	100 g	200 g	400 g
Readability [d]	5 g	10 g	20 g
Max readability for non-verified scale	1 g	1 g	2g
Verification unit [e]	5 g	10 g	20 g
Tare range	-15 kg	-30 kg	-60 kg
Verification	Yes	Yes	Yes
OIML class	III	III	III
Platform material	St3S powder-coated steel	St3S powder-coated steel	St3S powder-coated steel
Weighing pan material	AISI304 stainless steel	AISI304 stainless steel	AISI304 stainless steel
Indicator fastening	cable (K)	cable (K)	cable (K)
Display	10.1" touch panel	10.1" touch panel	10.1" touch panel
Keyboard	on-screen	on-screen	on-screen
Indicator type	PUE HY10	PUE HY10	PUE HY10
Ingress protection - platform	IP 65	IP 65	IP 65
Ingress protection - indicator	IP 68/69	IP 68/69	IP 68/69
RS 485	1	1	1
RS 232	1	1	1
USB	1 × type A, 1 × MR 4 PIN	1 × type A, 1 × MR 4 PIN	1 × type A, 1 × MR 4 PIN
Ethernet	10 / 100 Mbit	10 / 100 Mbit	10 / 100 Mbit
IN/OUT	4 × IN, 4 × OUT for (IN – 5-24 VDC, OUT – max 30 VDC, 0,5 ADC)	4 × IN, 4 × OUT for (IN – 5-24 VDC, OUT – max 30 VDC, 0,5 ADC)	4 × IN, 4 × OUT for (IN – 5-24 VDC, OUT – max 30 VDC, 0,5 ADC)
Optional quantity of weighing platforms**	Maximum 6 (2 × internal weighing module + 4 × external weighing module)	Maximum 6 (2 × internal weighing module + 4 × external weighing module)	Maximum 6 (2 × internal weighing module + 4 × external weighing module)
PROFIBUS module**	DP SLAVE	DP SLAVE	DP SLAVE
PROFINET Module**	1 × type RJ45	1 × type RJ45	1 × type RJ45
AN module**	4-20mA, 0-20mA current loop; 0-10V voltage loop	4-20mA, 0-20mA current loop; 0-10V voltage loop	4-20mA, 0-20mA current loop; 0-10V voltage loop
WE12 module**	12IN / 12OUT - cable gland for (IN – 5-24 VDC, OUT – max 30 VDC, 0,5 ADC)	12IN / 12OUT - cable gland for (IN – 5-24 VDC, OUT – max 30 VDC, 0,5 ADC)	12IN / 12OUT - cable gland for (IN – 5-24 VDC, OUT – max 30 VDC, 0,5 ADC)
Wireless Module**	YES (external antenna) 802.11 b/g/n	YES (external antenna) 802.11 b/g/n	YES (external antenna) 802.11 b/g/n
Power supply	100 ÷ 240V AC 50÷60Hz	100 ÷ 240V AC 50÷60Hz	100 ÷ 240V AC 50÷60Hz
Power consumption	21 W	21 W	21 W
Operating temperature	+10 ÷ +40 °C	+10 ÷ +40 °C	+10 ÷ +40 °C
Relative humidity ***	40 ÷ 80%	40 ÷ 80%	40 ÷ 80%
Transport and storage temperature	-10 ÷ +50 °C	-10 ÷ +50 °C	-10 ÷ +50 °C
Weighing pan dimensions	500 × 700 mm	500 × 700 mm	500 × 700 mm
Indicator dimensions	360 × 275 × 120 mm	360 × 275 × 120 mm	360 × 275 × 120 mm
Net weight	26,6 kg	26,6 kg	26,6 kg
Gross weight	31,7 kg	31,7 kg	31,7 kg
Platform packaging dimensions	850 × 800 × 270 mm	850 × 800 × 270 mm	850 × 800 × 270 mm
Indicator packaging dimensions	420 × 350 × 230 mm	420 × 350 × 230 mm	420 × 350 × 230 mm

* option: dual range weighing instrument

** optional scale design

*** non-condensing conditions

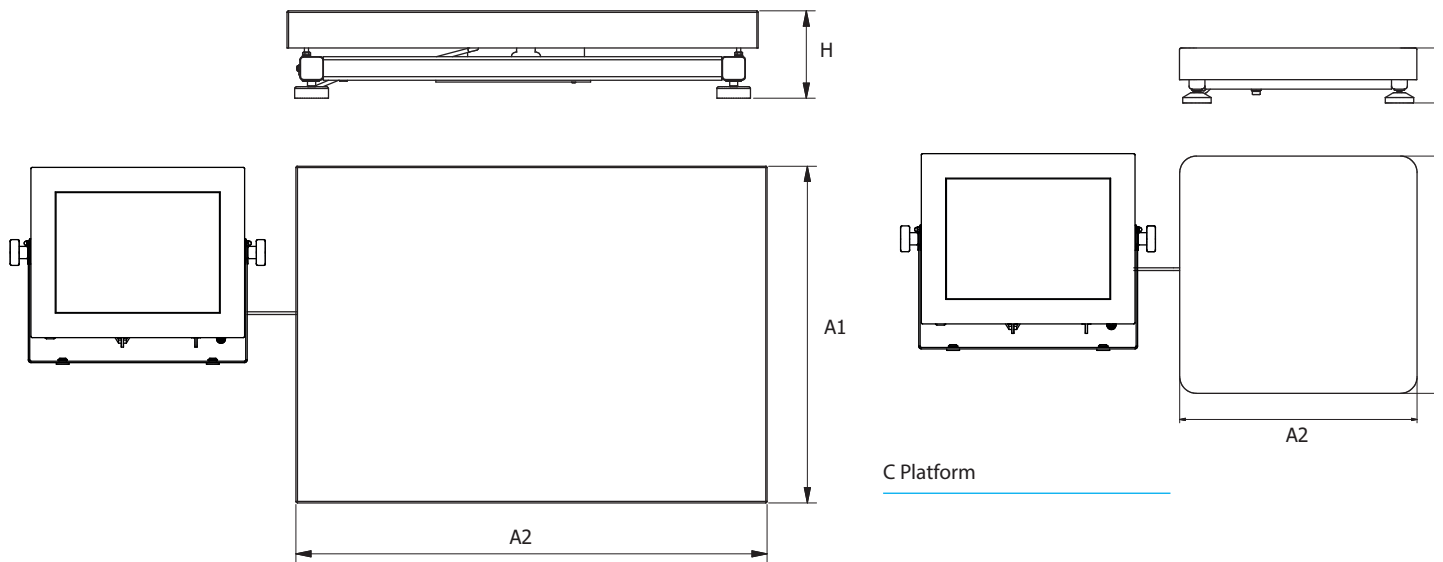
	HY10.150.C3.K*	HY10.300.C3.K*
Maximum capacity [Max]	150 kg	300 kg
Minimum capacity	1000 g	2000 g
Readability [d]	50 g	100 g
Max readability for non-verified scale	5 g	10 g
Verification unit [e]	50 g	100 g
Tare range	-150 kg	-300 kg
Verification	Yes	Yes
OIML class	III	III
Platform material	St3S powder-coated steel	St3S powder-coated steel
Weighing pan material	AISI304 stainless steel	AISI304 stainless steel
Indicator fastening	cable (K)	cable (K)
Display	10.1" touch panel	10.1" touch panel
Keyboard	on-screen	on-screen
Indicator type	PUE HY10	PUE HY10
Ingress protection - platform	IP 65	IP 65
Ingress protection - indicator	IP 68/69	IP 68/69
RS 485	1	1
RS 232	1	1
USB	1 × type A, 1 × MR 4 PIN	1 × type A, 1 × MR 4 PIN
Ethernet	10 / 100 Mbit	10 / 100 Mbit
IN/OUT	4 × IN, 4 × OUT for (IN – 5-24 VDC, OUT – max 30 VDC, 0,5 ADC)	4 × IN, 4 × OUT for (IN – 5-24 VDC, OUT – max 30 VDC, 0,5 ADC)
Optional quantity of weighing platforms**	Maximum 6 (2 × internal weighing module + 4 × external weighing module)	Maximum 6 (2 × internal weighing module + 4 × external weighing module)
PROFIBUS module**	DP SLAVE	DP SLAVE
PROFINET Module**	1 × type RJ45	1 × type RJ45
AN module**	4-20mA, 0-20mA current loop; 0-10V voltage loop	4-20mA, 0-20mA current loop; 0-10V voltage loop
WE12 module**	12IN / 12OUT - cable gland for (IN – 5-24 VDC, OUT – max 30 VDC, 0,5 ADC)	12IN / 12OUT - cable gland for (IN – 5-24 VDC, OUT – max 30 VDC, 0,5 ADC)
Wireless Module**	YES (external antenna) 802.11 b/g/n	YES (external antenna) 802.11 b/g/n
Power supply	100 ÷ 240V AC 50÷60Hz	100 ÷ 240V AC 50÷60Hz
Power consumption	21 W	21 W
Operating temperature	+10 ÷ +40 °C	+10 ÷ +40 °C
Relative humidity ***	40 ÷ 80%	40 ÷ 80%
Transport and storage temperature	-10 ÷ +50 °C	-10 ÷ +50 °C
Weighing pan dimensions	500 × 700 mm	500 × 700 mm
Indicator dimensions	360 × 275 × 120 mm	360 × 275 × 120 mm
Net weight	26,6 kg	26,6 kg
Gross weight	31,7 kg	31,7 kg
Platform packaging dimensions	850 × 800 × 270 mm	850 × 800 × 270 mm
Indicator packaging dimensions	420 × 350 × 230 mm	420 × 350 × 230 mm

* option: dual range weighing instrument

** optional scale design

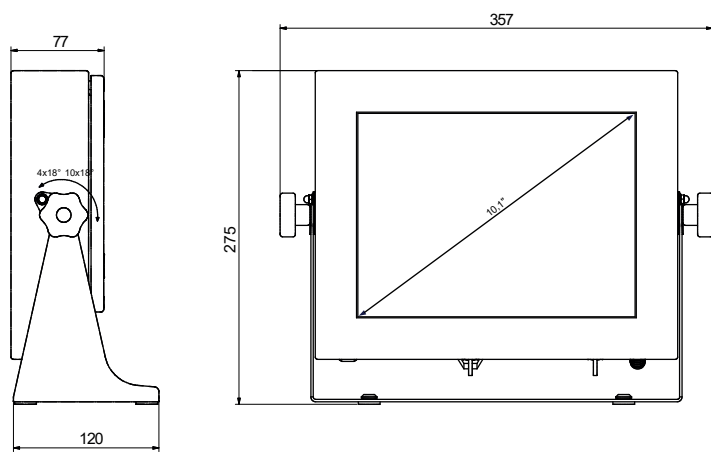
*** non-condensing conditions

Dimensions



F1 Platform

C Platform



PUE HY10

Scale type	A1	A2	H
HY10.C2.K	400	500	103 ±3
HY10.C3.K	500	700	130 ±3
HY10.F1.K	300	300	70 ±3

dimensions in mm

Accessories

Peripheral Devices

- Epson dot matrix printer
- Zebra labellers
- WWG-2/4 large-size display
- LCD – WD-4/3 display (backlit)
- stack light
- control buttons
- transponder card scanner
- barcode scanner

Cables, Converters

- PT0019 cable – (scale – Epson printer)
- USB – PT0087 cable (Epson printer)
- PT0022 – cable (scale - Zebra printer)
- PT0020 cable – (scale– computer)
- RS-232 – PT0326 cable (indicator– indicator)

- RS 232 – PT0348 cable (scale–HRP, MWSH, MWLH)
- Ethernet 0198 cable
- IN/OUT– PT0256 cable
- USB type A-B cable
- Ethernet cable

Weighing Platforms

- 1 load cell platforms
- 4 load cell platforms
- high resolution platforms

Remaining Accessories

- stands for indicators
- weighing tables

Dedicated Software

R-LAB

- collecting measurements
- carrying out statistical analysis of measurements
- customized graphs and reports

Label Editor R02

- designing label templates
- sending graphics and fonts to label printers
- printing label templates using connected printers

E2R PGC

- synchronization of databases, operators, products schedules
- record of measurements and PGC controls carried out on weighing instruments linked in ETHERNET network
- quality assessment of pre- packaged goods based on acquired data

E2R Weighing Records

- complete, automated databases synchronization
- fully supported processes of labelling and parts counting
- record of weighings, weighings archiving
- basic and advanced (with graphs) reports

E2R Formulations

- carrying out simple formulations
- support of an advanced formulations orders function
- warehouse management
- optional automatic dispensing and constant correction of the dispensing process
- control of an ingredient using the barcode scanner

E2R Weighings

- record of measurements carried out using the weighing indicators
- online monitoring of the production lines
- weighing thresholds control
- employees working time reporting

RAD KEY

- Establishing cooperation between a weighing instrument and a computer

R.Barcode

- The basic function software is presentation of the data sent by barcode scanners connected to PC via USB or RS232

Radwag Development Studio

- presentation of functions (and subfunctions) of communication protocol (Common Communication Protocol)

- possibility of connection with weighing equipment on which each function is carried out,
- library with mass control, contained within the development environment
- complete documentation of the communication protocol
- set of user manuals for different solutions addressed for programmers employed in companies using RADWAG-manufactured weighing equipment

RADWAG Connect

- establishing communication with all balances, scales and weighing modules using Common Communication Protocol
- communication via local network,
- support of basic functions
- auto searching for devices
- connecting with few devices simultaneously, swapping between them
- clear list of connected platforms
- record of measurements in the program,
- export of carried out measurements to CSV file,
- work performed using freely selected device with Windows 10

LabView Driver

- operation of RADWAG balances in LabView environment

RADWAG Remote Desktop

- remote operation via computer, mobile phone or tablet
- sending text messages
- version for Windows 10 and Android systems

Parameters Editor

- remote change of parameters
- remote on-line preview of the display
- displaying current mass indication
- software update
- file loading, editing and saving parameters to a file
- import and export of parameters
- interfaces: RS232, Ethernet and Wireless Connection.
- quick and easy edition of balance parameters using computer.

Audit Trail Reader

- support of Audit Trail function available for 3Y, 4Y, HY10, WLY, WPY series weighing instruments
- record of operator's activity from the moment of logging in