

LD4N

LIFTING SYSTEM FOR A WEIGHING PLATFORM

ASSEMBLY INSTRUCTIONS

ITKM-01-03-08-18-EN



 **RADWAG BALANCES AND SCALES**
ADVANCED WEIGHING TECHNOLOGIES

AUGUST 2018

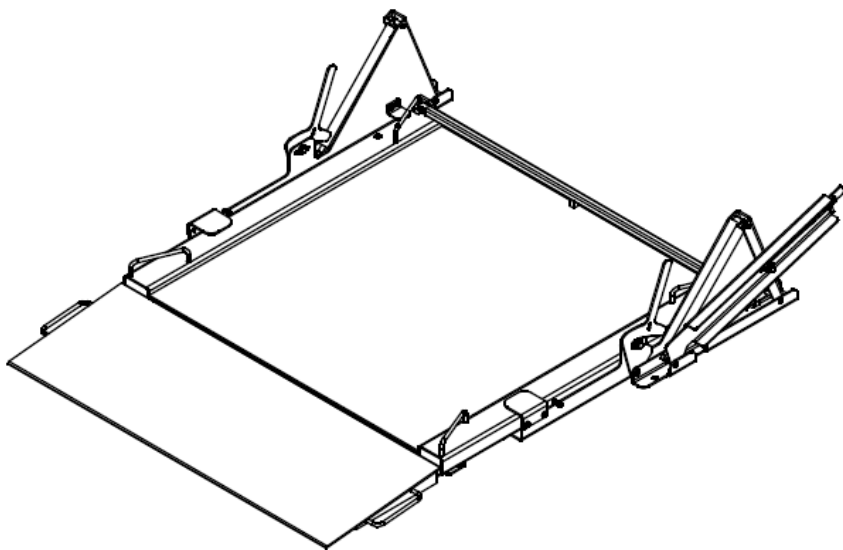



Fig.1. Ramp scale with platform lifting system, one ramp and beam

CONTENTS

1. UNPACKING.....	5
2. ASSEMBLY	7
3. PLATFORM LIFTING.....	13
4. PLATFORM LOWERING	15

1. UNPACKING

- 1. Remove the transport lock (stretch wrap, transport belts, etc.).
- 2. Unload the platform and its elements from the pallet.

	<i>Do not remove the protection of the platform lifting system lock until the platform is assembled and secured!!!</i>
---	---

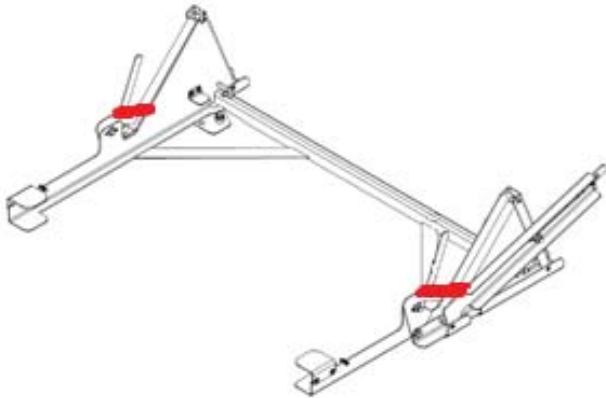


Fig.2. Platform lifting system

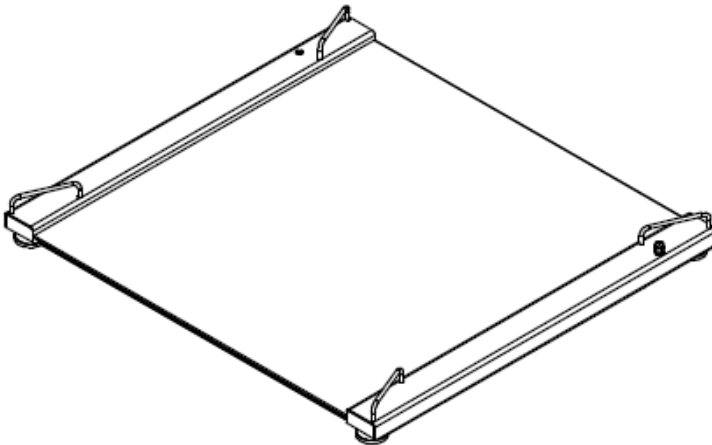


Fig.3. Construction of the ramp scale adapted for assembling the lifting system

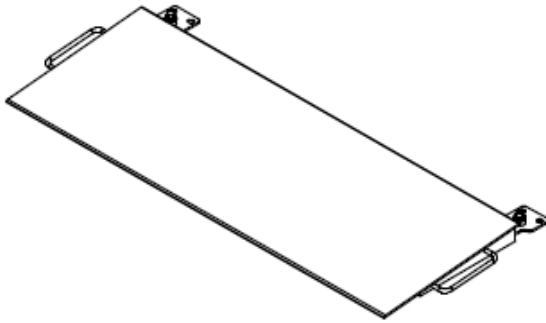


Fig.4. Ramp for scale equipped with lifting system

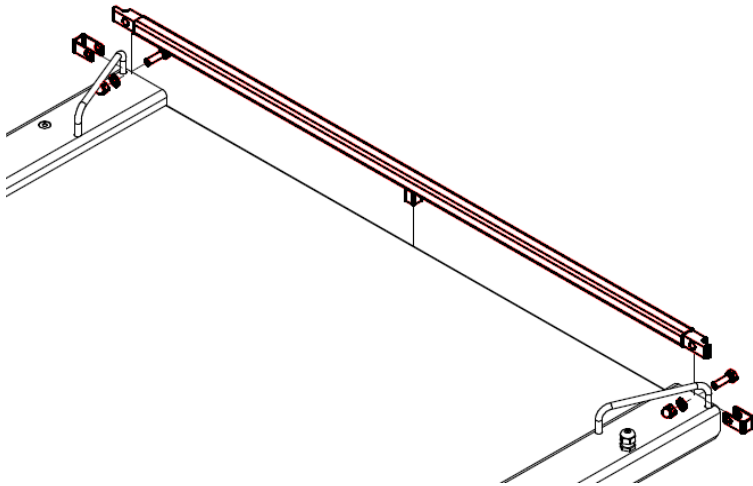


Fig.5. Beam with fasteners

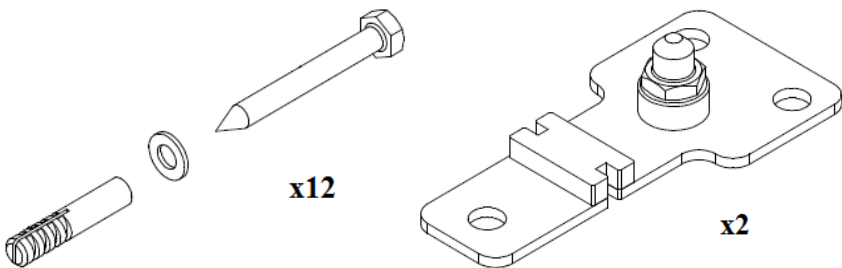


Fig.6. Fasteners

2. ASSEMBLY

Notes concerning the workstation:

The ground must be horizontal, flat, clean and capable of supporting the weight of the scale and the load. The ground cannot transfer vibrations or be affected by them.

1. Take the platform lifting system to the workstation.
2. Unscrew the construction limiters of the platform lifting system (Figure 7).

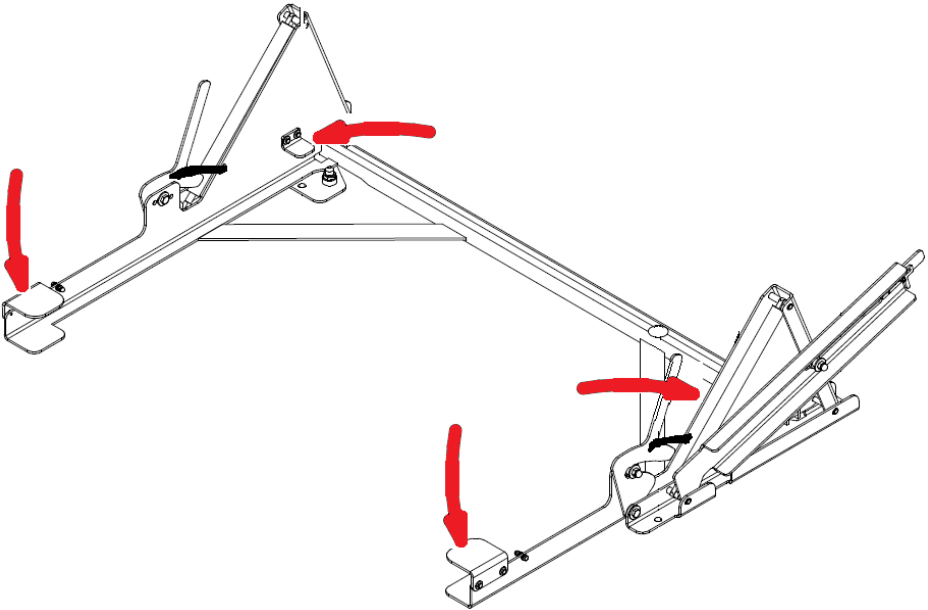


Fig.7. Elements to unscrew

3. Drill holes in the ground as shown in Figure 8 (12mm diameter, 90mm drill depth).

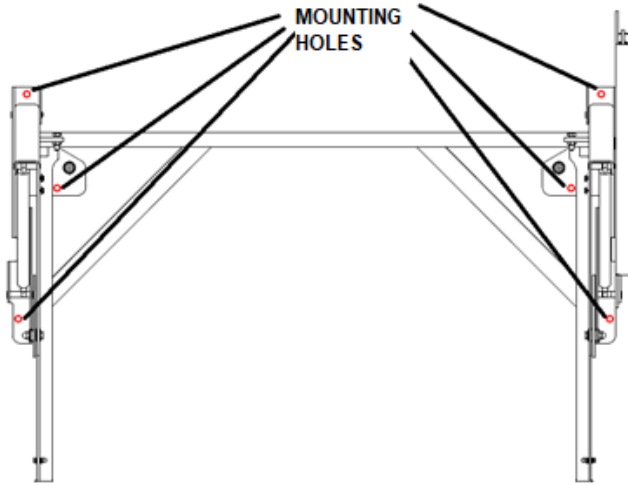


Fig.8. Mounting holes spacing

4. Fix the construction of the platform lifting system (Figure 9) using anchor bolts included in the kit (Figure 6).

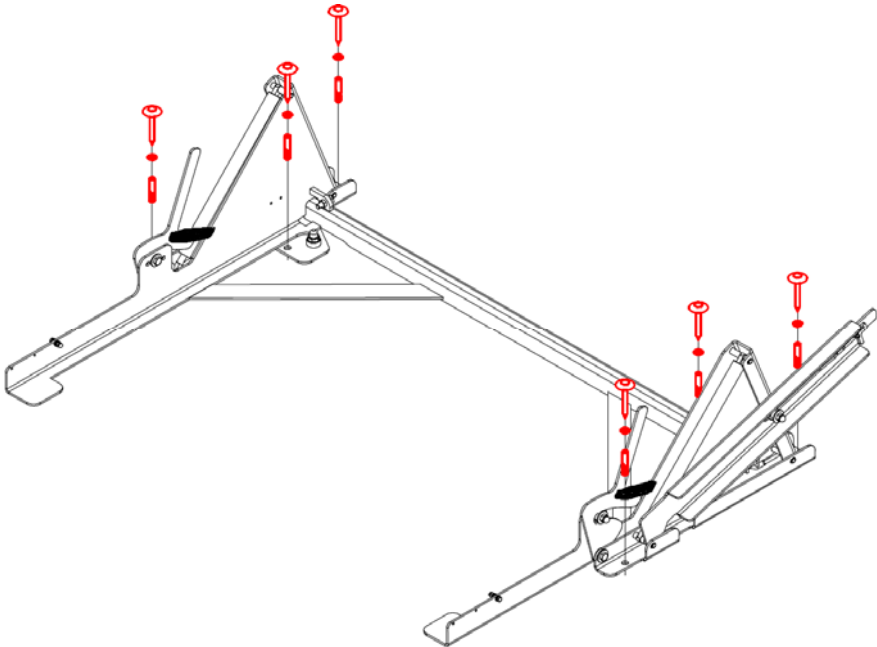


Fig.9. Assembly of the construction of the platform lifting system carried out using anchor bolts

5. Assemble the beam as shown in Figure 10.

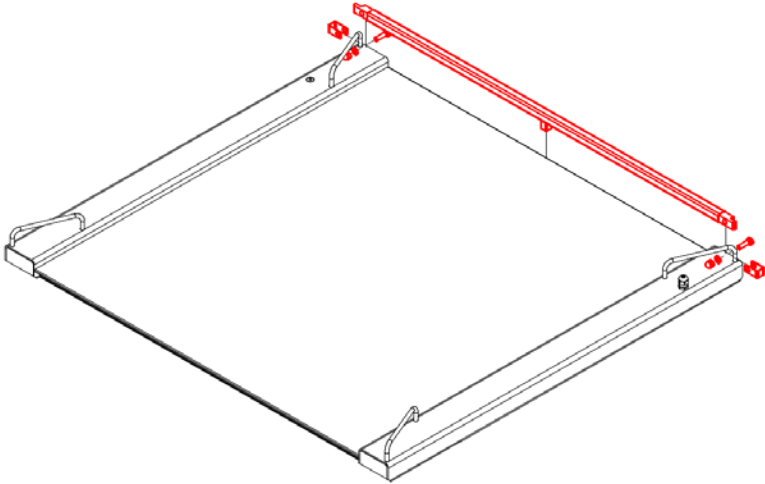


Fig.10. Beam assembly

6. Place the mounting feet with pins as shown in the figure below. Do not drill. Do not anchor the construction to the ground (Figure 11).

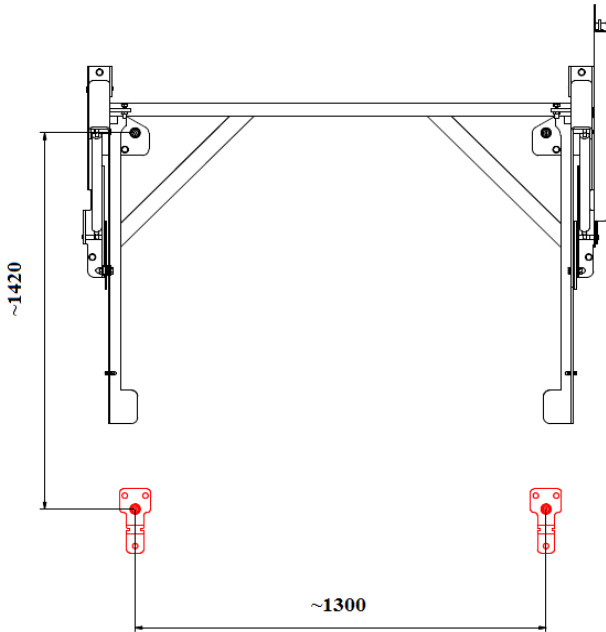


Fig.11. Mounting feet spacing with pins

7. Place the platform; match the load cells to the pins. Place the ramp, match it to the mounting feet (Figure 12).

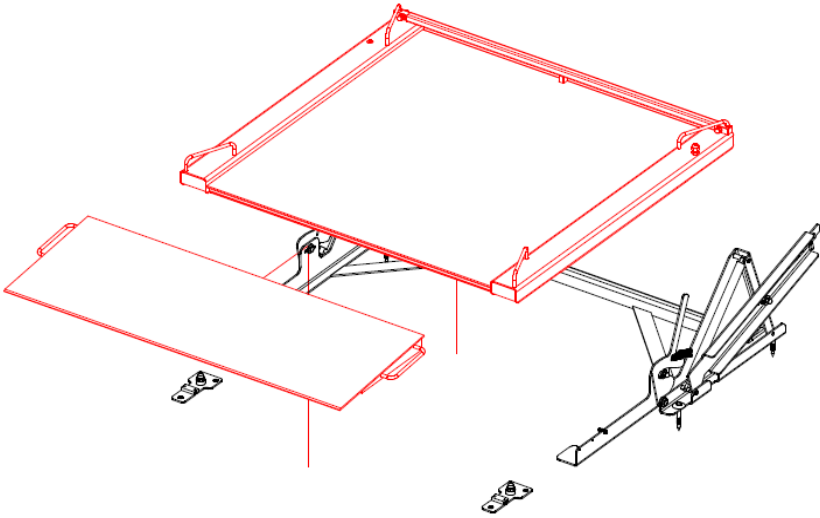


Fig. 12. Placing the platform and the ramp on the mounting feet's pins

8. Remove the ramp, assemble the limiters of the construction of the platform lifting system. Screw one pin to each foot (Figure 13).

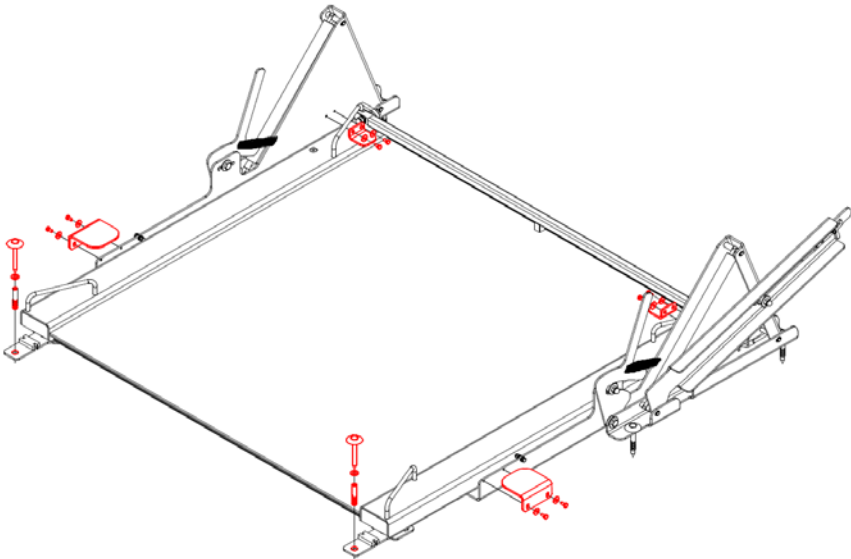


Fig. 13. Assembly of the construction of the platform lifting system and anchor bolts

9. Remove the protection of the platform lifting system lock (Figure 14).

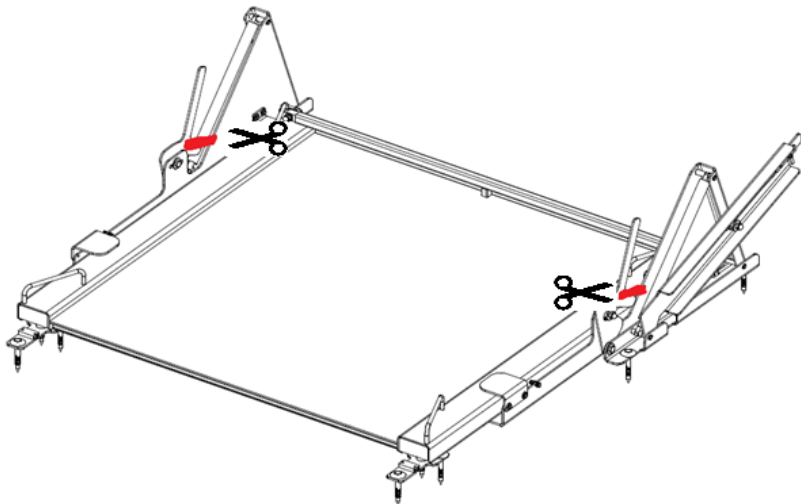


Fig.14. The protection of the platform lifting system lock

10. Lift the platform up until it is locked (see Section 3).

11. Fix the feet with two anchor bolts per each foot (Figure 15).

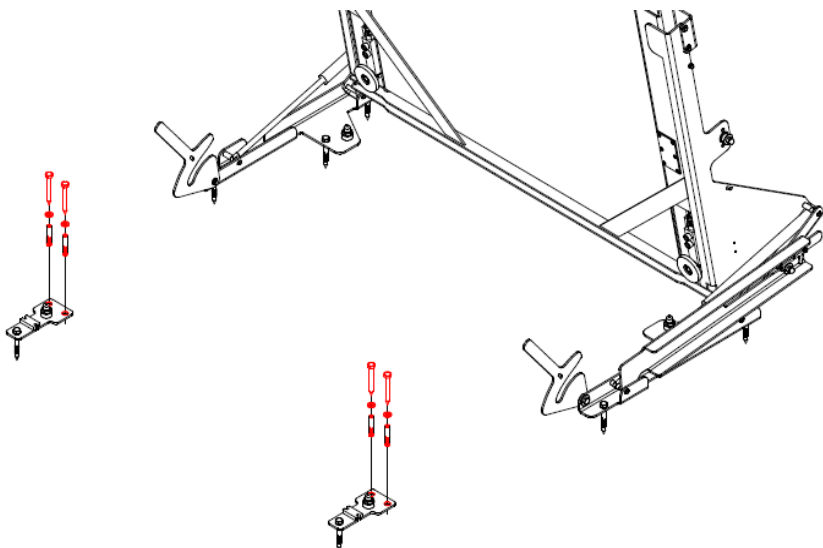


Fig.15. Assembly of the anchor bolts

12. Lower the platform (see Section 4).
13. Assemble the ramp (Figure: 16, 17).

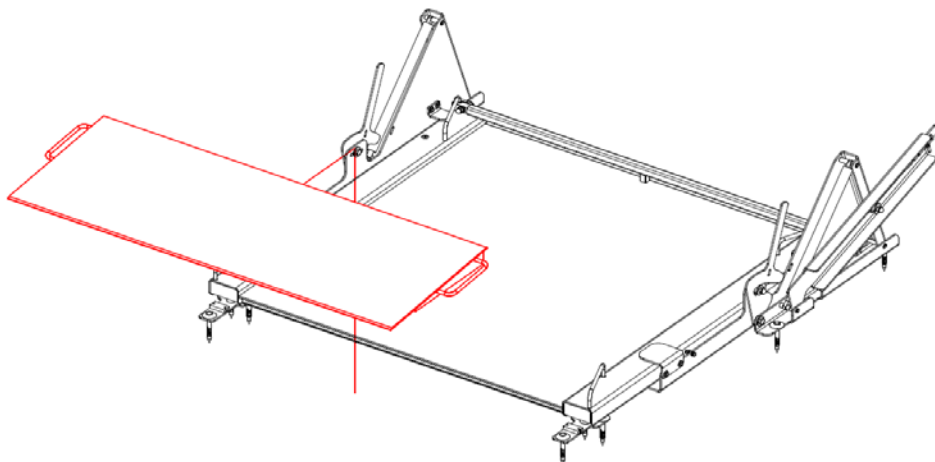


Fig.16. Ramp assembly 1

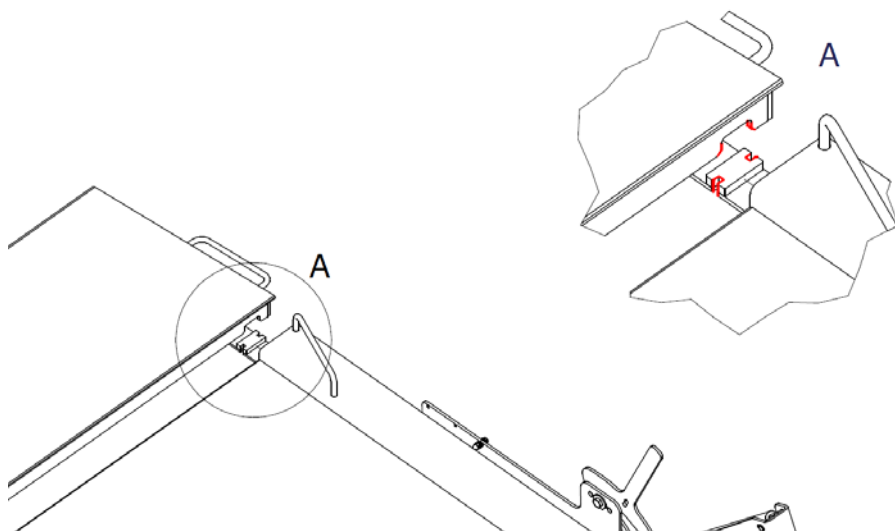


Fig.17. Ramp assembly 2

3. PLATFORM LIFTING

Procedure:

1. Press the lifting mechanism (1), release the lock (1a) while still pressing the lifting mechanism (Figure 18).
2. Press the lifting mechanism (2), release the lock (2a) while still pressing the lifting mechanism (Figure 18).

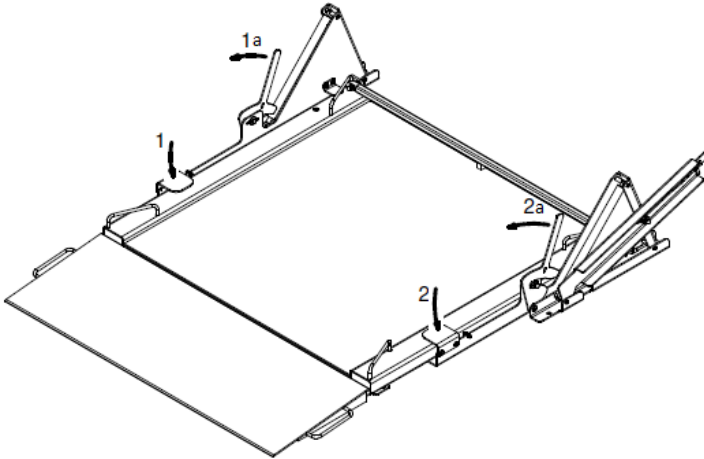


Fig.18.

3. Use the handle (3a) to lift the platform up in accordance with direction 3 (Figure 19) until the lock (7) is snapped (Figure 20).

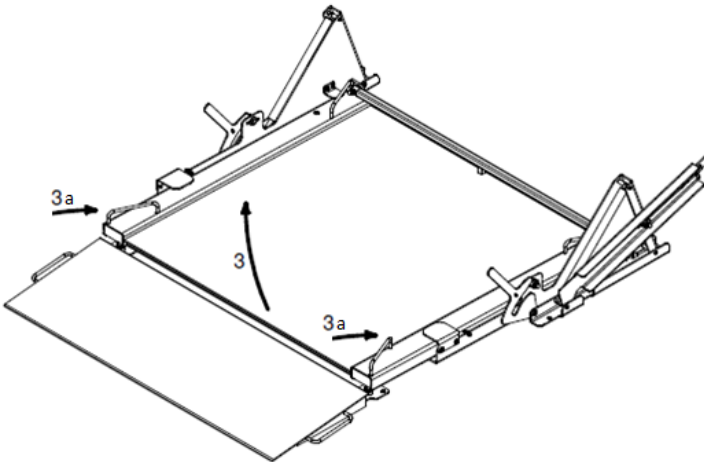


Fig.19.

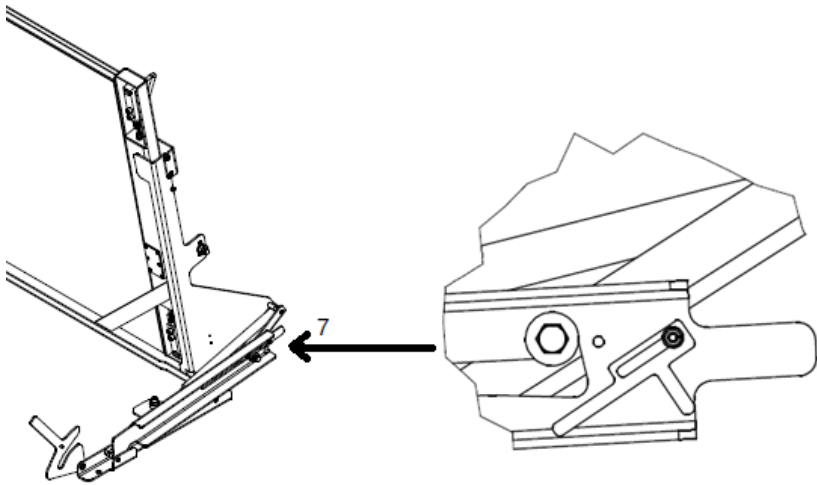
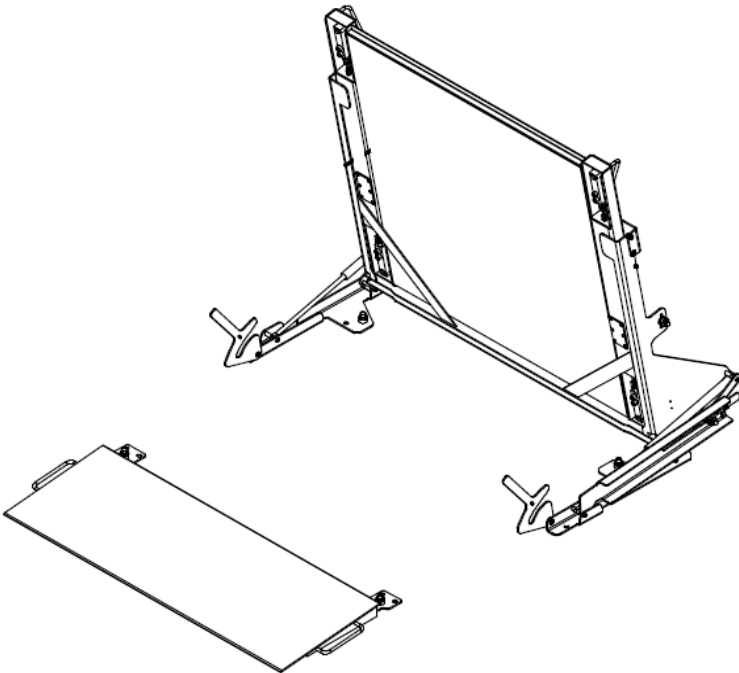


Fig.20. Location and side view of the lock

4. After snapping the lock (7) you can carry out cleaning and maintenance activities.



4. PLATFORM LOWERING

Procedure:

1. Release the lock (7) by changing its position (the position presented in Figure 21 has to be changed into position presented in Figure 22).

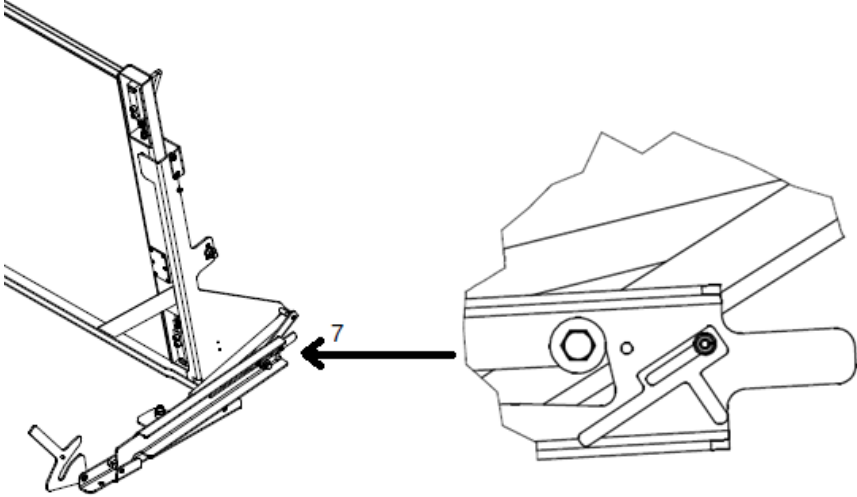


Fig.21. Platform locked in the upper position

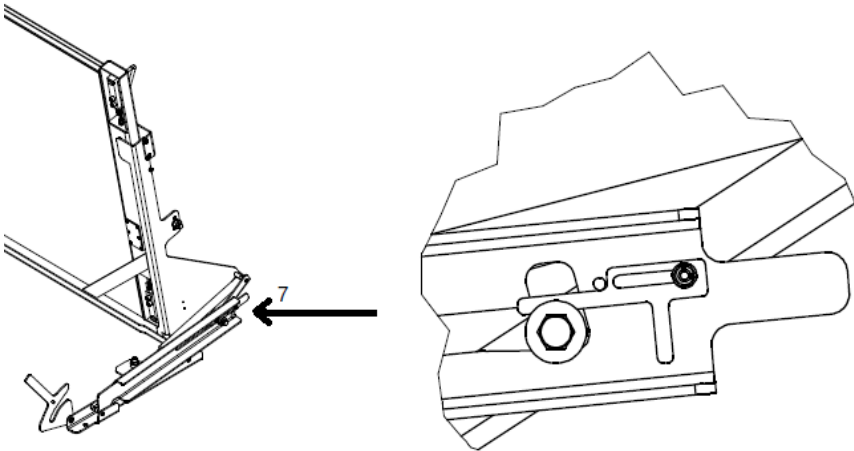


Fig.22. Platform lock released

2. Lower the platform using handles (3a) in accordance with direction 8 (Figure 23).

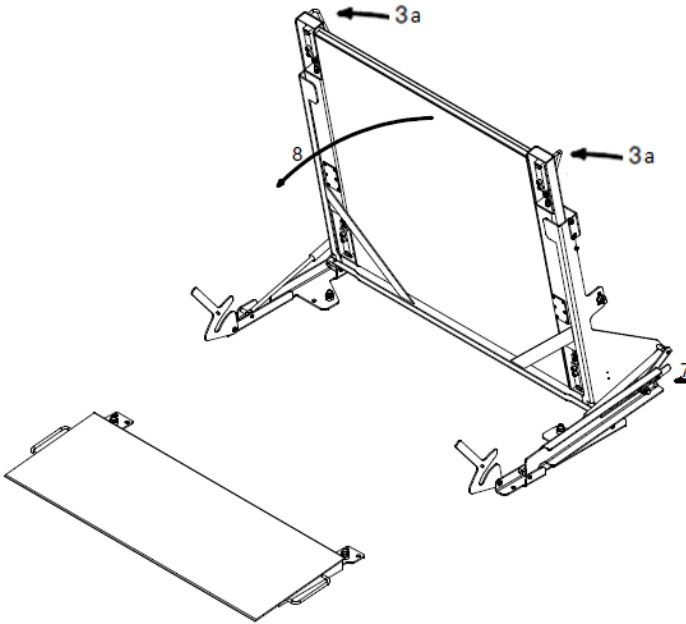


Fig.23. Handles and the direction of platform lowering

3. Press the lifting mechanism (9), release the lock (9a) while still pressing the lifting mechanism (Figure 24).
4. Press the lifting mechanism (10), release the lock (10a) while still pressing the lifting mechanism (Figure 24)

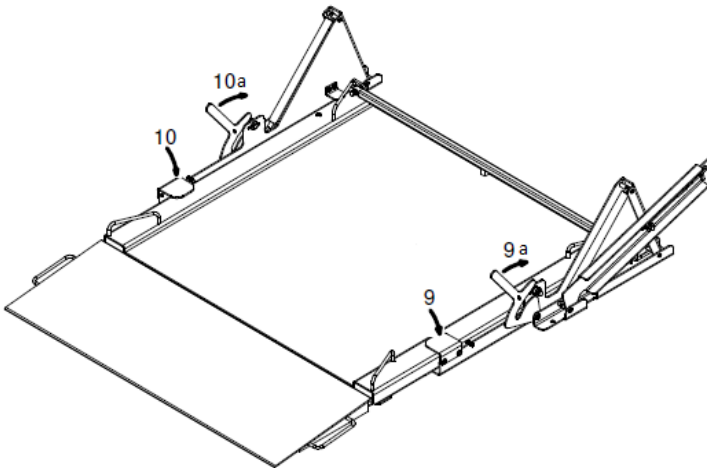


Fig.24. Lifting lock



RADWAG BALANCES AND SCALES
ADVANCED WEIGHING TECHNOLOGIES

